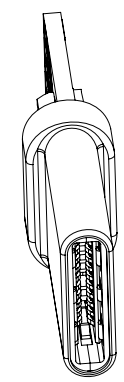
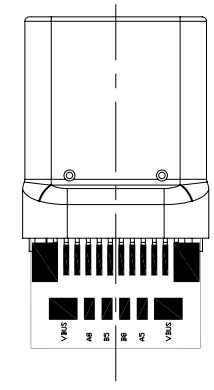
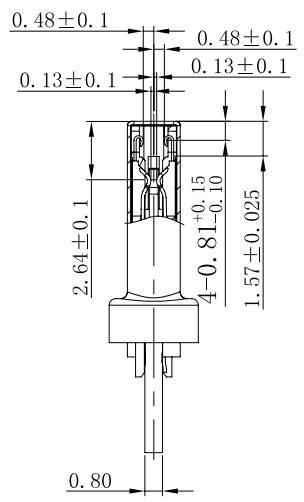
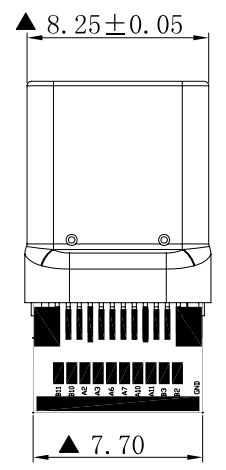
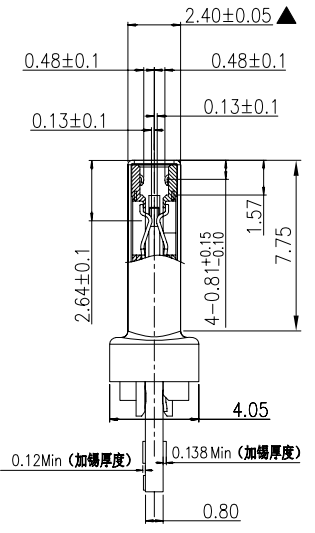
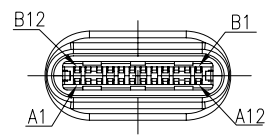
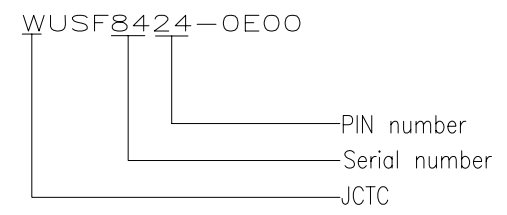


RoHS
HF



NOTE:
 1.MATERIAL:
 1.1 INSULATOR: HIGH TEMPERATURE PLASTIC UL 94 V-0;
 1.2 CONTACT: COPPER ALLOY(T=0.15mm)
 1.3 SHELL: STEEL(T=0.20mm)
 2.ELECTRICAL CHARACTERISTICS:
 2.1 CONTACT RESISTANCE: 40mΩ Max FOR INITIAL. 10mΩ CHANGE AFTER TEST. MEASURE AT 20mV, 100mA.
 2.2 CONTACT CURRENT RATING: 5A Max FOR VBUS/GND PIN; 0.9A Max FOR Other PIN.
 2.3 DIELECTRIC WITHSTANDING VOLTAGE: 100V AC R.M.S.
 2.4 INSULATION RESISTANCE 100MΩ Min
 2.5 OPERATING TEMPERATURE: -40°C~85°C
 3 MECHANICAL CHARACTERISTICS:
 3.1 MATING FORCE: 5~20 N.
 3.2 UNMATED FORCE: 6~20N AFTER TEST
 3.3 DURABILITY: 10,000 CYCLES, 500 CYCLES/H
 4.PLATING
 CONTACT:CONTACT AREA PLATING Au OVER THE 50U" Min. Ni,SOLDER AREA PLATING 80~120U" MATTING Sn OVER THE Ni
 SHELL/SPRING/BUCKLE:50U" Min PLATING OVER ALL
 5.Mark "▲" is important DIM.
 6.PART NO.:



P1		Wire	P2		PCB WIRING DIAGRAM	
Pin	Signal Name	Signal Name	Pin	Signal Name	Pin	PAD
A1,B1,A12,B12,SHELL	GND	GND_PWRrt1	A1,B1,A12,B12,SHELL	GND	A1,B1,A12,B12,SHELL	GND
A4,B4,A9,B9	VBUS	PWR_VBUS1	A4,B4,A9,B9	VBUS	A4,B4,A9,B9	VBUS
A5	cc	cc	A5	cc	A5	A5
B5	Vconn	PWR_Vconn	B5	Vconn	B5	B5
A6	Dp1	UTP_Dp	A6	Dp1	A6	A6
A7	Dn1	UTP_Dn	A7	Dn1	A7	A7
A2	SSTXp1	SDPp1	B11	SSRXp1	A2	A2
A3	SSTXn1	SDPn1	B10	SSRXn1	A3	A3
B11	SSRXp1	SDPp2	A2	SSTXp1	B11	B11
B10	SSRXn1	SDPn2	A3	SSTXn1	B10	B10
B2	SSTXp2	SDPp3	A11	SSRXp2	B2	B2
B3	SSTXn2	SDPn3	A10	SSRXn2	B3	B3
A11	SSRXp2	SDPp4	B2	SSTXp2	A11	A11
A10	SSRXn2	SDPn4	B3	SSRXn2	A10	A10
A8	SBU1	SBU_A	B8	SBU2	A8	A8
B8	SBU2	SBU_B	A8	SBU1	B8	B8

REV.	REVISION RECORD	DATE	SIZE: A4	GENERAL TOLERANCES		SCALE: 1:1	NAME	DATE
				LINEAR	ANGLES			
C	增加焊盘锡量管控	10/10/2017		0.0 ±0.30	X'REF± 6°	APPROVED		
B	修改图面与实物一致	07/22/2016		0.00 ±0.20	X' ± 3'	DESIGNER		
A	INITIAL RELEASE	07/13/2016	UNIT: MM	0.00 ±0.10	X'X' ± 2'	DRAWN		10/10/2017

WJCT

苏州伟聚电子科技有限公司

TITLE: USB C TYPE 3.0 PLUG(WITH PCB)

PART.NO: WUSF8424-OE00

DWG.NO: WUSF8424-OE00

REV: B SHEET: 1/1