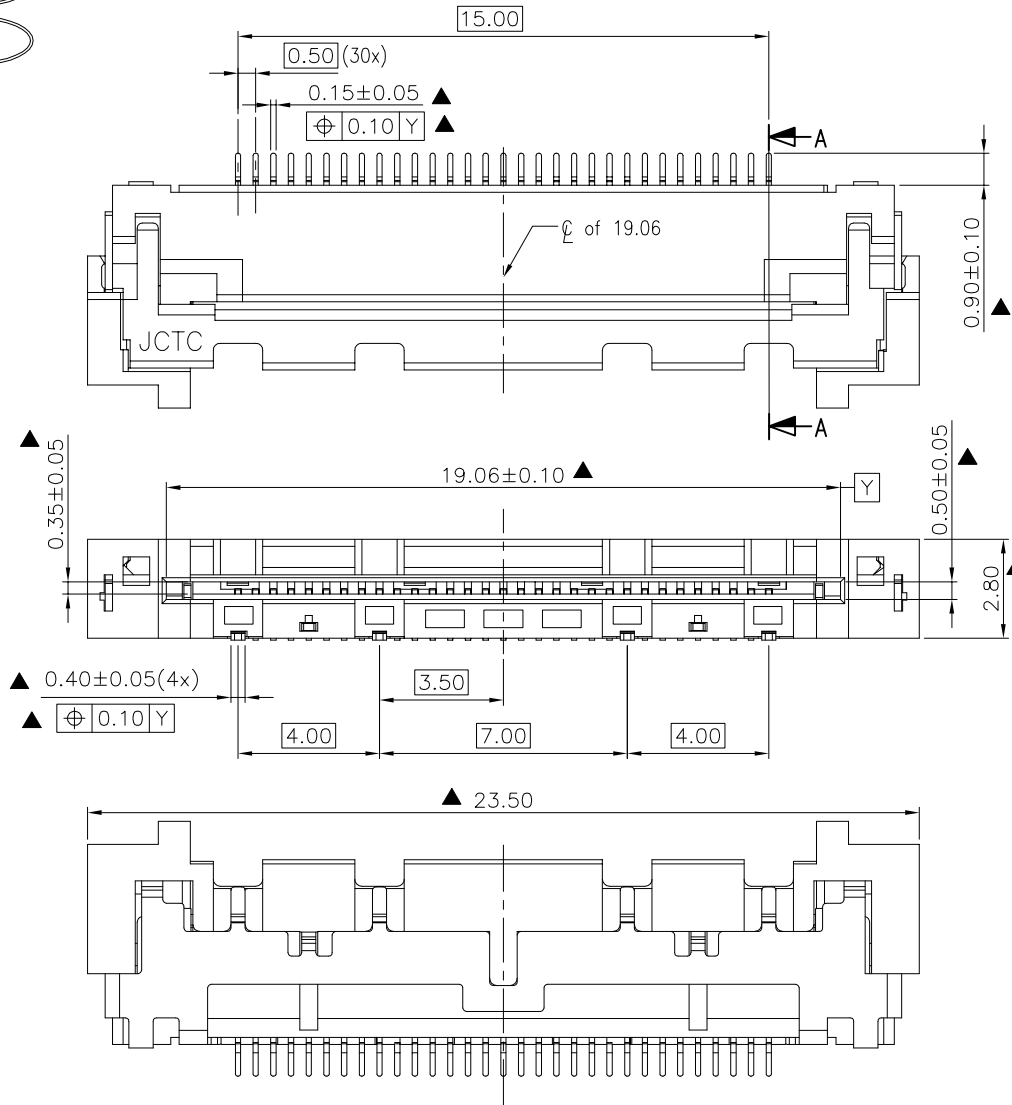


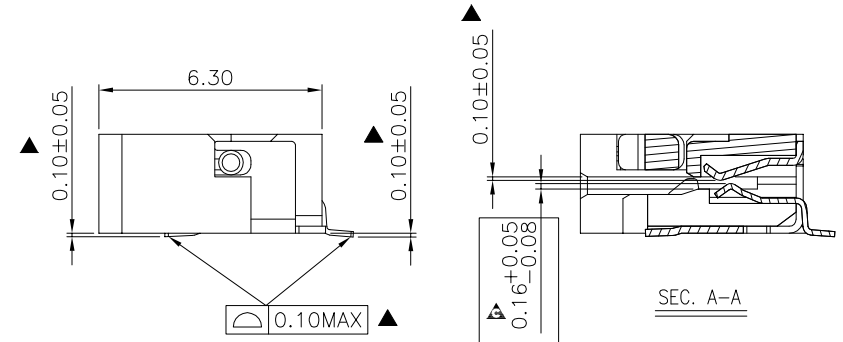
RoHS

HF

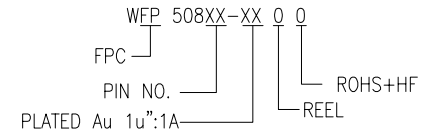


NOTES:

1. MATERIAL:
 TERMINAL: Phosphor Bronze;
 SHELL: Phosphor Bronze;
 HOUSING: HIGH-TEMP THERMOPLASTIC UL94V-0
 CAP: HIGH-TEMP THERMOPLASTIC UL94V-0
2. TERMINAL RETENTION FORCE 0.12kgf MIN.
3. FPC INSERTION FORCE 1.5kg Max. RETENTION FORCE 2.0kg Min.
4. THE "▲" MARK SHOWS DIMENSION OF IMPORTANT.
 THE "▲" MARK SHOWS DIMENSION OF CPK.

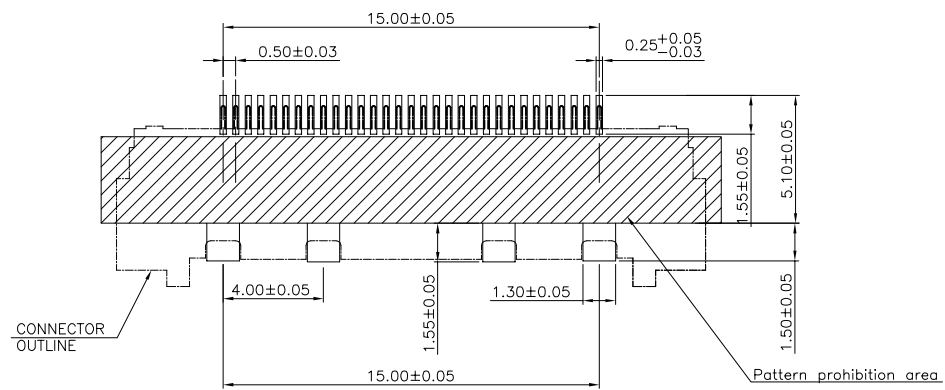


5. PRODUCT NO. DESCRIPTION:

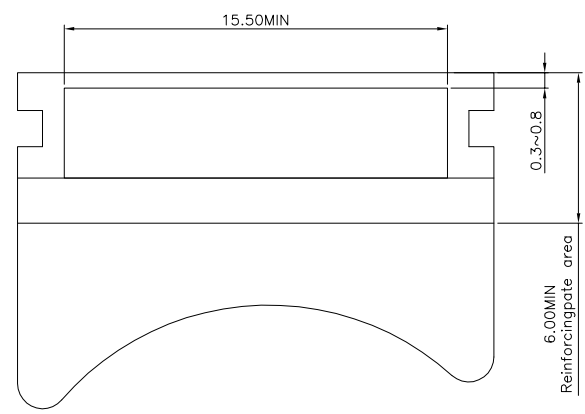
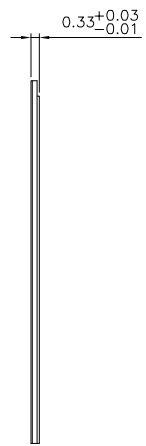
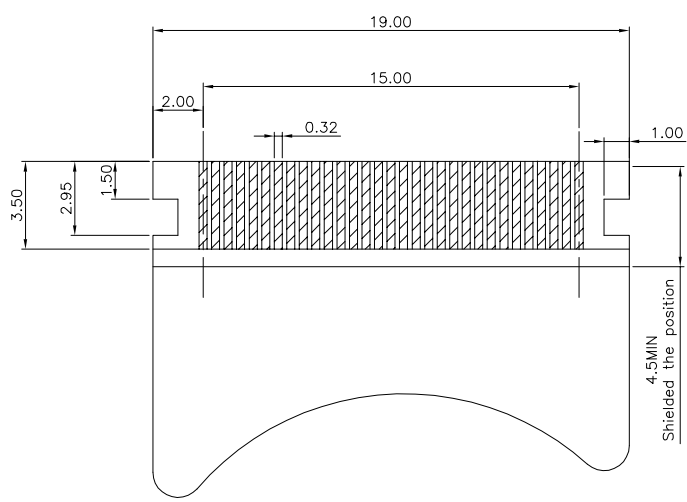
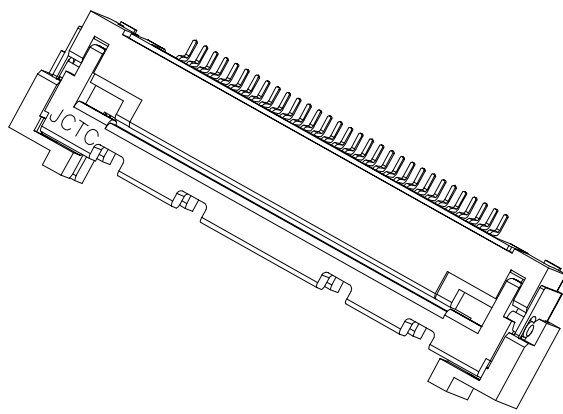


REV.	REVISION RECORD	DATE		GENERAL TOLERANCES		SCALE: 4:1	NAME	DATE	 苏州伟聚电子科技有限公司 TITLE: 31pin FPC 0.5PH 2.8H CONN	PART.NO:
A	New Version Issue	09/05'15		LINEAR	ANGLES	APPROVED				WFP50831-XX00
B	Modify Size Tolerances	2018.04.18	0.0 ±0.20	X'REF± 6°	DESIGNER			DWG.NO:		
			UNIT: MM	0.00 ±0.15	X' ± 3'	DRAWN		610-0000-0008		
			SIZE: A4	0.000±0.10	X'X' ± 2'			REV: B	SHEET: 1/2	

RoHS
HF



PCB LAYOUT



REV.	REVISION RECORD	DATE		GENERAL TOLERANCES		SCALE: 4:1	NAME	DATE	 苏州伟聚电子科技有限公司 TITLE: 31pin FPC 0.5PH 2.8H CONN	PART.NO: WFP50831-XX00
A	New Version Issue	09/05' 15		LINEAR	ANGLES	APPROVED				DWG.NO: 610-0000-0008
B	Modify Size Tolerances	2018.04.18	0.0 ±0.20	X'REF± 6'	DESIGNER			REV: B		
			UNIT: MM	X' ± 3'	DRAWN			SHEET: 2/2		
			SIZE: A4	0.000±0.10	X'X' ± 2'					