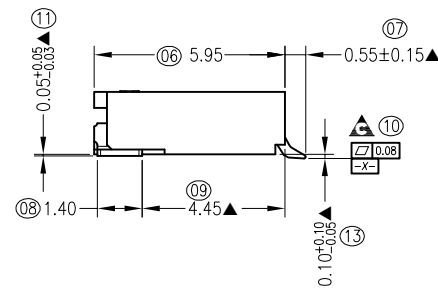
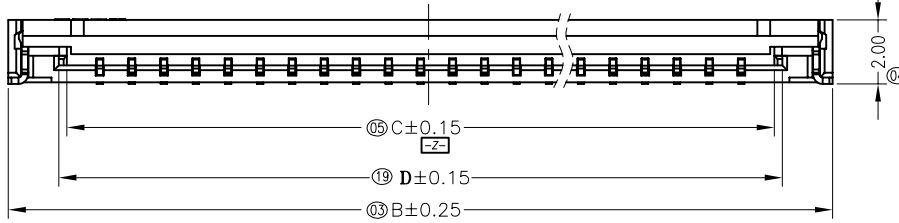
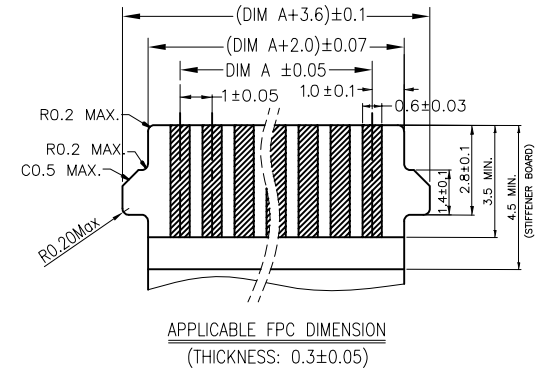
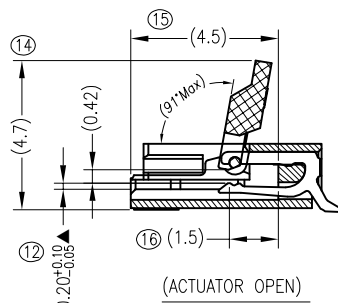
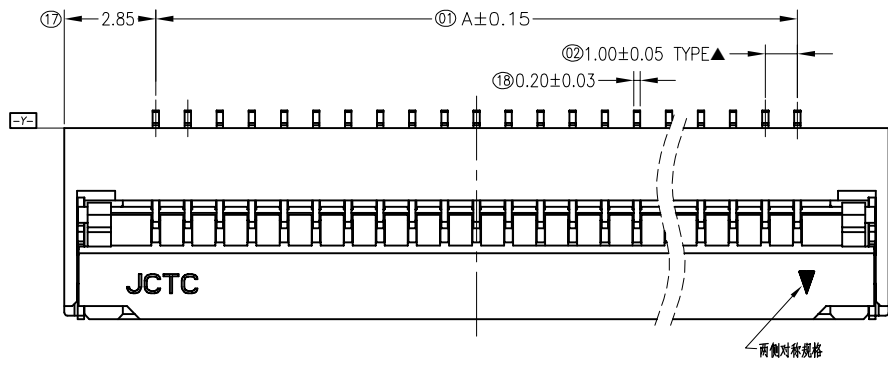


RoHS
HF



- NOTES:
- 材料:
 - 本体: LCP E6808 UL94V-0,NATURE.
 - 盖子: LCP E6808 UL94V-0,BLACK.
 - 端子: C5210-H,Gold Flash.
 - 左右发片: C2680-H, 100u" MATTE Tin PLATED.
 - 接触电阻: 30mΩ MAX. INITIAL.
 - 耐压: 250V AC 1 MINUTE.
 - 绝缘: 500MΩ MIN.
 - 平面度: 端子间R最大0.10mm MAX,IR最大0.13mm MAX;
 - PIN保持力: 50g MIN
 - ⊗ FAI DIM. ▲ 重量 DIM. △ CPK DIM.
 - PART NO:W41001**-002

PIN	A	B	C	D
10P	9.00	14.70	11.06	11.56
30P	29.00	34.70	31.06	31.56

- 10: 10PIN
- 25: 25PIN
- 30: 30PIN
- 1.0mm pitch

REV.	REVISION RECORD	DATE	GENERAL TOLERANCES		SCALE: 1:1	NAME	DATE	<p>苏州伟聚电子科技有限公司</p> <p>TITLE: 2.0H 1.0PT FPC(两侧对称)</p>	PART.NO:
A	FIRST VERSION	4/11-13'	LINEAR	ANGLES	APPROVED				W41001XX-002
B	ADD NEW P/N	10/28-15'	0.0 ±0.30	X'REF ± 6°	CHECKED				DWG.NO:
			0.00 ±0.20	X' ± 3'	DRAWN	WSM	10/28-15'		CW41002
			SIZE: A4	0.000±0.10	X'X' ± 2'				REV: B SHEET: 1/1