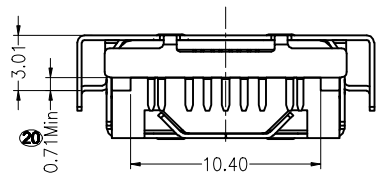
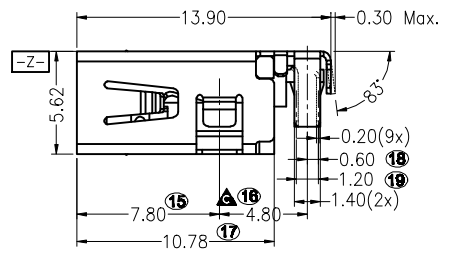
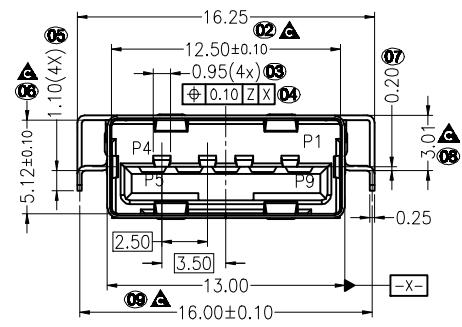
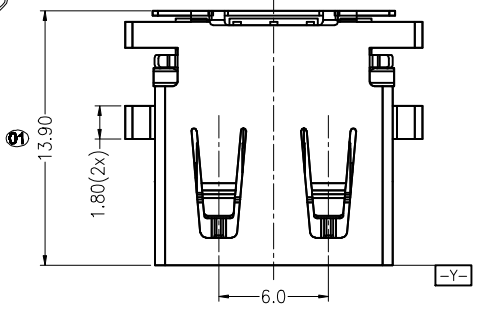
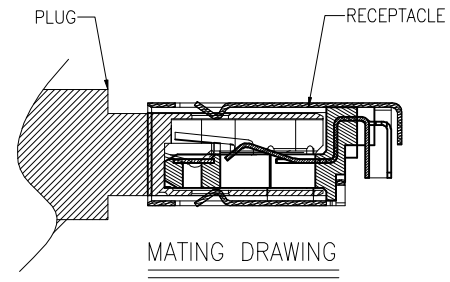


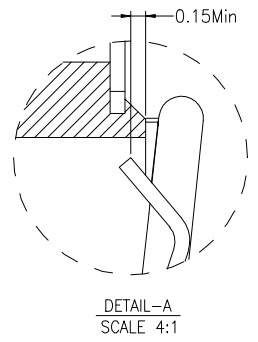
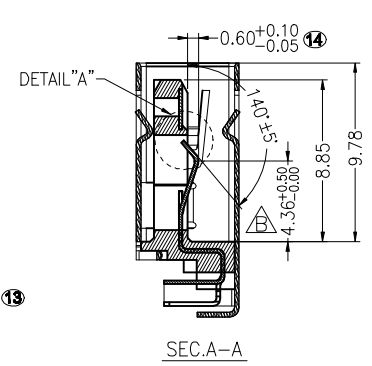
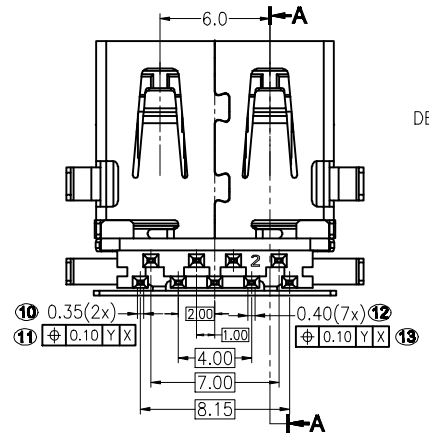
RoHS
HF

- NOTE:
- MATERIAL:
 - INSULATOR:LCP130I UL94V-0;BLACK
 - CONTACT:C5210-EH(T=0.20mm)
 - SHELL:SUS304(T=0.25mm)
 - CAP:LCP130I UL94V-0;BLCAK
 - ELECTRICAL CHARACTERISTICS:
 - CONTACT RESISTANCE:30mΩ Max
 - CONTACT CURRENT RATING:1.5A
 - DIELECTRIC WITHSTANDING VOLTAGE:500 V R.M.S.
 - INSULATION RESISTANCE 100 MEGOHMS Min
 - OPERATING TEMPERATURE:-40°C ~ 85°C
 - MECHANICAL CHARACTERISTICS:
 - MATING FORCE:25N Max



| | |
|----------------|-------|
| WUSF8909-0A00 | BLACK |
| WUSF11109-0A00 | BLUE |

- UNMATED FORCE:7N~20N INITIAL; 1000CYCLES:CHANGE NO MORE THAN 50% FROM INITIAL, 10000CYCLES: FUNCTION OK.
- DURABILITY:10,000 CYCLES
- ⊗ MARK IS FAI DIM. ▲ MARK IS CPK DIM.



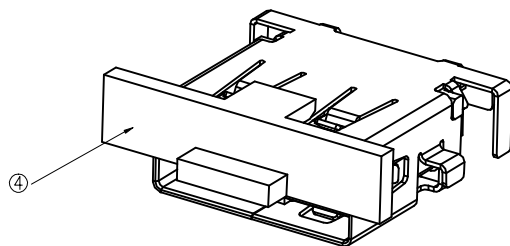
| PIN | SIGNAL NAME | DESCRIPTION | MATING SEQUENCE |
|-------|-------------|--|-----------------|
| 1 | VBUS | POWER | SECOND |
| 2 | D- | USB 2.0 DIFFERENTIAL PAIR | THIRD |
| 3 | D+ | DIFFERENTIAL PAIR | |
| 4 | GND | GROUND FOR POWER RETURN | SECOND |
| 5 | Std_A_SSRX- | SUPERSPEED RECEIVER DIFFERENTIAL PAIR | |
| 6 | Std_A_SSRX+ | DIFFERENTIAL PAIR | |
| 7 | GND_DRAIN | GROUND FOR SIGNAL RETURN | LAST |
| 8 | Std_A_SSTX- | SUPERSPEED TRANSMITTER DIFFERENTIAL PAIR | |
| 9 | Std_A_SSTX+ | DIFFERENTIAL PAIR | |
| Shell | Shield | CONNECTOR METAL SHELL | FRIST |

| REV. | REVISION RECORD | DATE |
|------|------------------------|----------|
| A | NEW RELEASE | 04/08'16 |
| B | ADD CONTACT DIMENSION | 05/17'16 |
| C | Alteration Drawn Frame | 08/23'17 |
| D | ECN HOUSING | 03/22'18 |

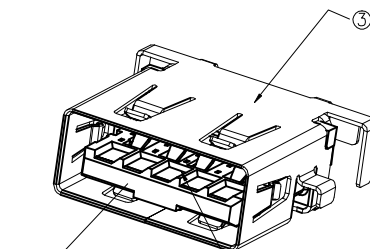
| GENERAL TOLERANCES | SCALE: 1:1 | NAME | DATE |
|--------------------|------------|------|------|
| LINEAR: 0.0 ±0.30 | APPROVED | | |
| ANGLES: X'REF ± 6' | DESIGNER | | |
| 0.00 ±0.20 | DRAWN | | |
| 0.000±0.10 | | | |

WJCT
苏州伟聚电子科技有限公司
TITLE: USB3.0 REVERSE DIP TYPE H3.0 STANDARD FORM

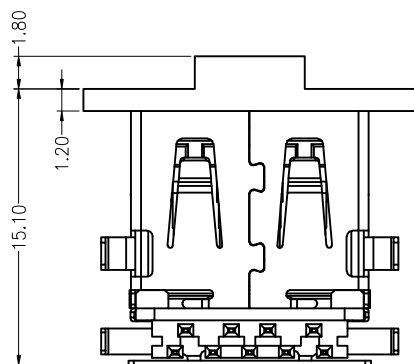
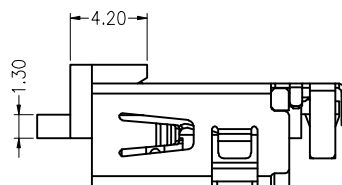
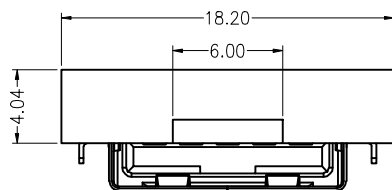
| | |
|----------|---------------|
| PART.NO: | WUSF8909-0A00 |
| DWG.NO: | 605-0000-0083 |
| REV: | C |
| SHEET: | 1/2 |



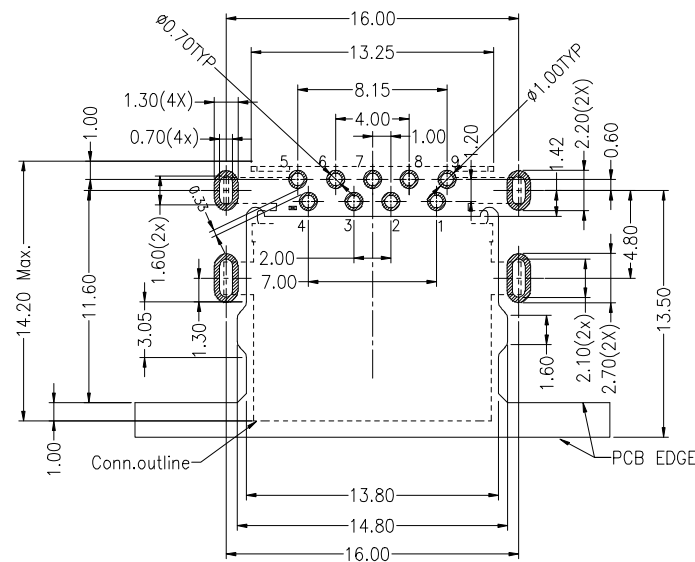
WITH CAP



WITHOUT CAP



WITH CAP DIMENSIONS



TOLERANCE: ± 0.05 , THICKNESS: 0.8~1.0mm
RECOMMENDED PCB LAYOUT

| | | | | |
|-----|----------|------|-------------------|--|
| 4 | CAP | 1 | LCP130I UL94 V-0 | BLACK |
| 3 | SHELL | 1 | SUS304-H T=0.25mm | ALL OVER Ni |
| 2 | TERMINAL | 9 | C5210-EH,T=0.20mm | 4u" Min Au ON CONTACT ARER Sn 100 u"ON SOLDER AREA ALL OVER Ni 50 u" Min |
| 1 | HOUSING | 1 | LCP130I UL94 V-0 | BLACK |
| NO. | PARTS | Q'TY | MATERIAL | PLATING&COLOUR |

| REV. | REVISION RECORD | DATE | | GENERAL TOLERANCES | | SCALE: 1:1 | NAME | DATE |
|------|------------------------|----------|----------|--------------------|----------------|------------|------|------|
| A | NEW RELEASE | 04/08'16 | | LINEAR | ANGLES | | | |
| B | ADD CONTACT DIMENSION | 05/17'16 | UNIT: MM | 0.0 ± 0.30 | X'REF $\pm 6'$ | APPROVED | | |
| C | Alteration Drawn Frame | 08/23'17 | | 0.00 ± 0.20 | X' $\pm 3'$ | DESIGNER | | |
| D | ECN HOUSING | 03/22'18 | | 0.000 ± 0.10 | X'X' $\pm 2'$ | DRAWN | | |
| | | | SIZE: A4 | | | | | |

WJCT
苏州伟聚电子科技有限公司

TITLE: USB3.0 REVERSE DIP TYPE
H3.0 STANDARD FORM

PART.ND: WUSF8909-0A00
DWG.ND: 605-0000-0083
REV: C SHEET: 2/2