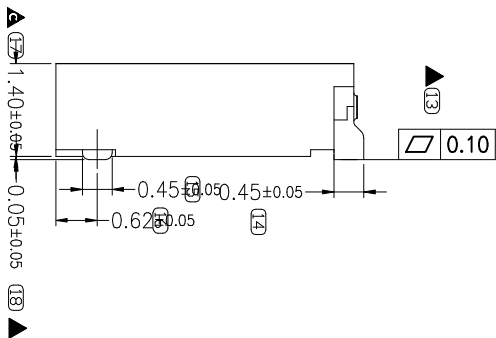
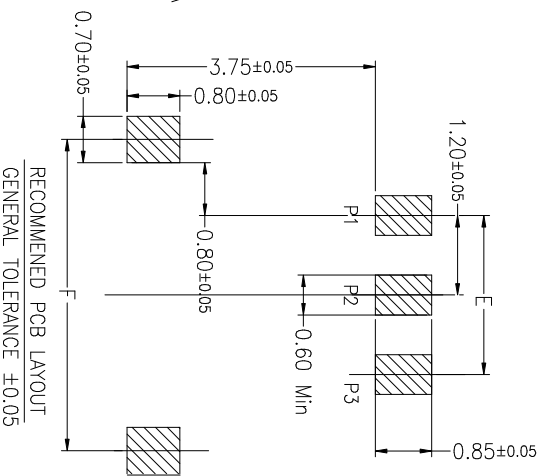


- NOTES:
1. Rated Voltage : 50V AC/DC
 2. Rated Current : 1A AC,DC
 3. Withstand Voltage : 500V AC/minute
 4. Contact Resistance : 40mΩ(MAX.)
 5. Insulation Resistance : 100MΩ(MIN.)
 6. Temperature Range : -25°C~+85°C
 7. The "⊠" mark show dimension of IMP. IMPORTANT.
 - The "▲" mark show dimension of CPK.
 8. Part No Driftion:
WWAH05XX-XX00

PIN NO: 1:OD-PLATING 4U' AU ON CONTACT AREA
1A:PLATING 1U' AU ON CONTACT AREA



PIN NO.	DIM A	DIM B	DIM C	DIM D	DIM E	DIM F	DIM G
2	4.20	3.20	2.60	1.32	1.20	3.50	3.10
3	5.40	4.40	3.80	2.52	2.40	4.70	4.30
4	6.60	5.60	5.00	3.72	3.60	5.90	5.50
5	7.80	6.80	6.20	4.92	4.80	7.10	6.70
6	9.00	8.00	7.40	6.12	6.00	8.30	7.90

REVISION RECORD

REV.	REVISION RECORD	DATE	SCALE:	NAME	DATE
A	NEW PRODUCT DESCRIPTION	14-11-17	APPROVED		
B	ADD PIN NO	15-02-28	DESIGNER		
C	ADD D DIMENSION	15-04-16	DRAWN		

GENERAL TOLERANCES

LINEAR	ANGLES
0.0 ±0.30	X° REF± 6'
0.00 ±0.20	X' ± 3'

SCALE:

APPROVED	DESIGNER
	DRAWN

PART NO: WWAH05XX-XX00

苏州伟聚电子科技有限公司

DWG NO: 655-0000-0006

TITLE: WAFER 1.2PITCH CONN WITH GROOVE

REV: C SHEET: 1/1