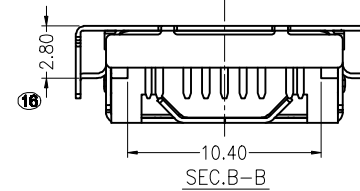
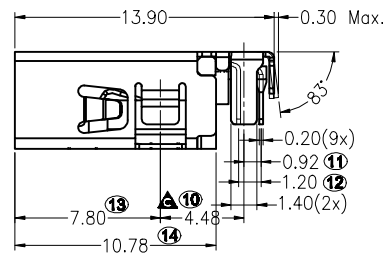
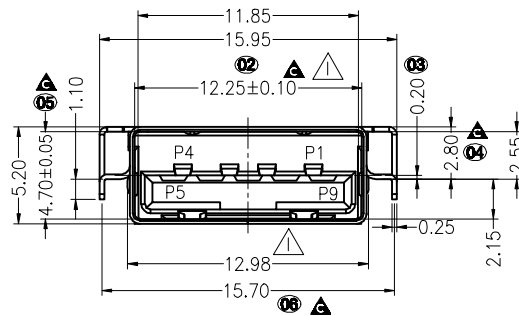


MATING DRAWING

NOTE:

- 1.MATERIAL:
 - 1.1 INSULATOR:LCP130I UL94V-0;
 - 1.2 CONTACT:C5210-EH(T=0.20mm)
 - 1.3 SHELL:SUS304-1/2H(T=0.25mm)
 - 1.4 CAP:LCP130I UL94V-0;BLCAK
- 2.ELECTRICAL CHARACTERISTICS:
 - 2.1 CONTACTRESISTANCE:30mΩ Max
 - 2.2 CONTACT CURRENT RATING:1.5A
 - 2.3 DIELECTRIC WITHSTANDING VOLTAGE:500 V R.M.S.
 - 2.4 INSULATION RESISTANCE 100 MEGOHMS Min
 - 2.5 OPERATING TEMPERATURE:-40°C ~ 85°C
- 3 MECHANICAL CHARACTERISTICS:
 - 3.1 MATING FORCE:25 N Max
 - 3.2 UNMATED FORCE:7N~20N INITIAL; 1000CYCLES:CHANGE NO MORE THAN 50% FROM INITIAL, 10000CYCLES: FUNCTION OK.
 - 3.3 DURABILITY:10,000 CYCLES

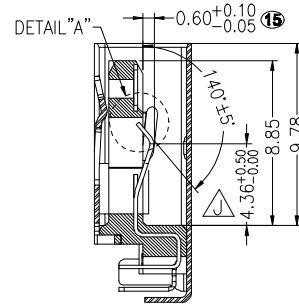
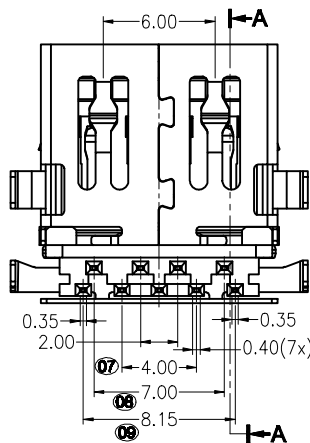


SEC.B-B

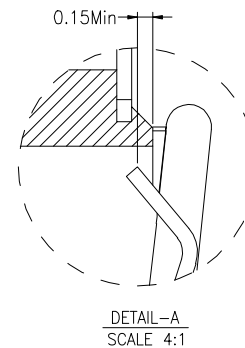
4. (X) MARK IS FAI DIM. (▲) MARK IS CPK DIM.

5.PART NO:WUSF2109-0A00X

INSULATOR COLOR:
BLANK: BLACK
U:BLUE



SEC.A-A



DETAIL-A
SCALE 4:1

PIN	SIGNAL NAME	DESCRIPTION	MATING SEQUENCE
1	VBUS	POWER	SECOND
2	D-	USB 2.0 DIFFERENTIAL PAIR	THIRD
3	D+	DIFFERENTIAL PAIR	
4	GND	GROUND FOR POWER RETURN	SECOND
5	StdA_SSRX-	SUPERSPEED RECEIVER DIFFERENTIAL PAIR	LAST
6	StdA_SSRX+	DIFFERENTIAL PAIR	
7	GND_DRAIN	GROUND FOR SIGNAL RETURN	
8	StdA_SSTX-	SUPERSPEED TRANSMITTER DIFFERENTIAL PAIR	
9	StdA_SSTX+	DIFFERENTIAL PAIR	
Shell	Shield	CONNECTOR METAL SHELL	FRIST

REV.	REVISION RECORD	DATE	GENERAL TOLERANCES		SCALE: 1:1	NAME	DATE
J	ADD CONTACT DIMENSION	05/17'16	LINEAR	ANGLES	APPROVED		
K	Add type for insulator color in blue	01/20'17	0.0 ±0.30	X'REF± 6'			
L	Alteration Drawn Frame	08/23'17	0.00 ±0.20	X' ± 3'	DESIGNER		
M	ECN HOUSING	03/22'18	0.000±0.10	X'X' ± 2'	DRAWN		

WJCT
苏州伟聚电子科技有限公司

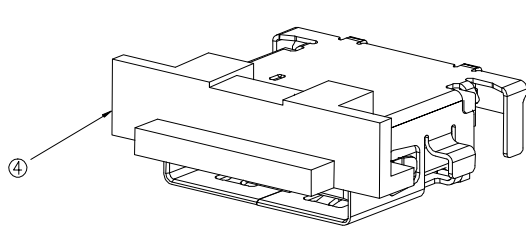
TITLE:
2-11 LUCAS USB3.0 SLIM REVERSE
DIP TYPE

PART.NO:
WUSF2109-0A00X

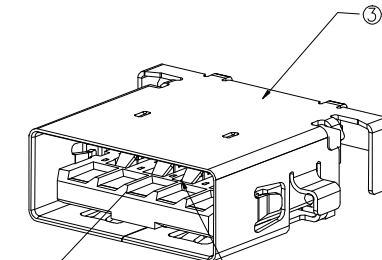
DWG.NO:
605-0000-0018

REV: M SHEET: 1/2

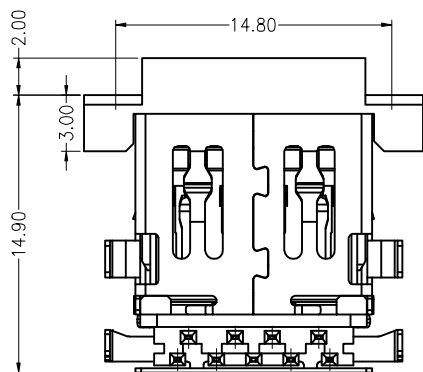
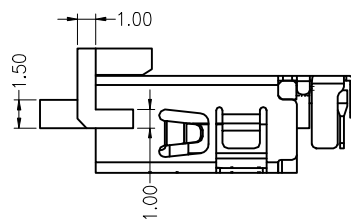
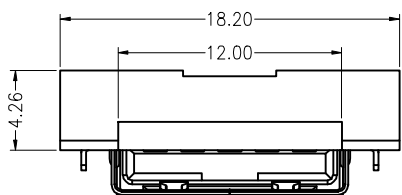
RoHS
HF



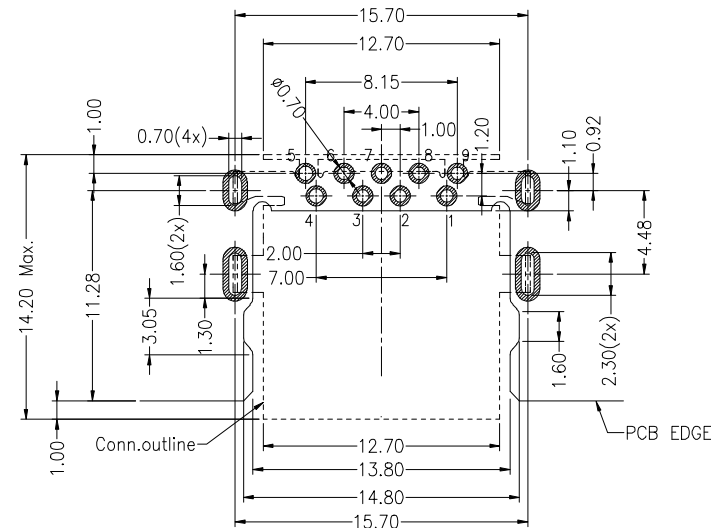
WITH CAP



WITHOUT CAP



WITH CAP DIMENSIONS



TOLERANCE: ± 0.05 , THICKNESS: 0.8~1.0mm
RECOMMENDED PCB LAYOUT

4	CAP	1	LCP130I UL94 V-0	BLACK&BLUE
3	SHELL	1	SUS304-1/2H T=0.25mm	ALL OVER Ni
2	TERMINAL	9	C5210-EH,T=0.20mm	4u" Min Au ON CONTACT ARER Sn 100 u"ON SOLDER AREA ALL OVER Ni 50 u" Min
1	HOUSING	1	LCP130I UL94 V-0	BLACK
NO.	PARTS	Q'TY	MATERIAL	PLATING&COLOUR

A	REV.	REVISION RECORD	DATE		GENERAL TOLERANCES		SCALE: 1:1	NAME	DATE
	J	ADD CONTACT DIMENSION	05/17'16		LINEAR	ANGLES			
	K	Add type for insulator color in blue	01/20'17	0.0 ± 0.30	X'REF $\pm 6'$	APPROVED			
	L	Alteration Drawn Frame	08/23'17	UNIT: MM	0.00 ± 0.20	X' $\pm 3'$	DESIGNER		
	M	ECN HOUSING	03/22'18	SIZE: A4	0.000 ± 0.10	X'X' $\pm 2'$	DRAWN		

WJCT
苏州伟聚电子科技有限公司

TITLE: 2-11 LUCAS USB3.0 SLIM REVERSE DIP TYPE

PART.ND: WUSF2109-0A00X
DWG.ND: 605-0000-0018
REV: M SHEET: 2/2