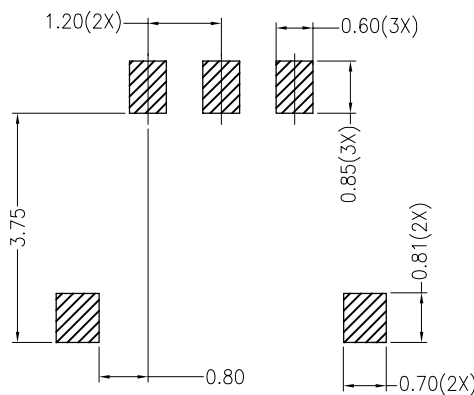
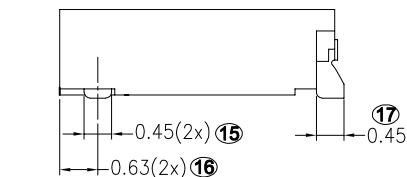
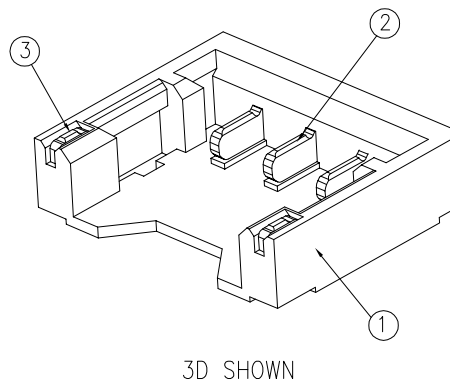
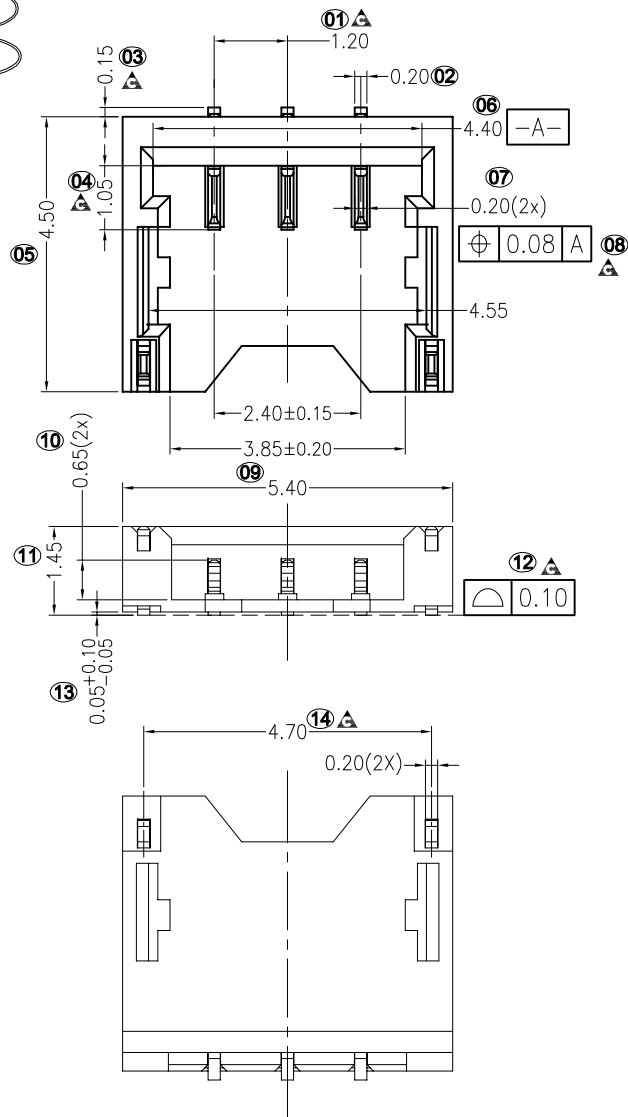


RoHS  
HF



RECOMMENDED PCB LAYOUT  
GENERAL TOLERANCE ±0.05

NOTE:

1.MATERIAL:

- 1.1 INSULATOR:LCP E130I UL94V-0;BLACK
- 1.2 CONTACT:C2680-H(T=0.20mm)
- 1.3 PEG:C2680-H(T=0.20mm)

2.ELECTRICAL CHARACTERISTICS;

- 2.1 CONTACT RESISTANCE:40mΩ Max
- 2.2 CONTACT CURRENT RATING:1A
- 2.3 DIELECTRIC WITHSTANDING VOLTAGE:500 V
- 2.4 INSULATION RESISTANCE: 100 MEGOHMS Min
- 2.5 OPERATING TEMPERATURE:-25°C ~ 85°C

3 MECHANICAL CHARACTERISTICS:

- 3.1 MATING FORCE:2Kgf Max
- 3.2 UNMATED FORCE:INITIAL 0.4Kgf~2Kgf INITIAL;  
AFTER 30 CYCLES 0.15Kgf Min .
- 3.3 DURABILITY:30 CYCLES

4.⊗ MARK IS FAI DIM. ▲ MARK IS CPK DIM.

5. PART No:

WWAH1603-0A00

- 03:3P
- 0:Rohs+HF
- 0:Reel Packing
- 0A:Plaing GF on contact area  
Tin Plated on Solder area

3	PEG	2	C2680	80u"Min Sn PLATING OVER ALL, 50u"Min Ni UNDER PLATING OVER ALL.
2	CONTACT	3	C2680	GF ON THE CONTACT AREA, MATTE TIN ON THE SOLDER AREA, 50u"Min Ni UNDER PLATING OVER ALL,
1	HOUSING	1	LCPE130I	UL94V-0, BLACK
ITEM	PARTS	Q'TY	MATERIAL	REMARK

REV.	REVISION RECORD	DATE	GENERAL TOLERANCES		SCALE:1:1	NAME	DATE
X1	NEW RELEASE	2017. 03. 29	LINEAR	ANGLES	APPROVED		
			0.0 ±0.25	X'REF± 6°			
			UNIT: MM	0.00 ±0.2	X' ± 3'	DESIGNER	
			SIZE: A4	0.000±0.05	X'X' ± 2'	DRAWN	

**WJCT**  
苏州伟聚电子科技有限公司  
TITLE:  
1. 2PH 3PIN Wafer H1.45 RECEPTACLE

PART.NO:  
WWAH1603-0A00  
DWG.NO:  
555-0000-0023  
REV: X1 SHEET: 1/1