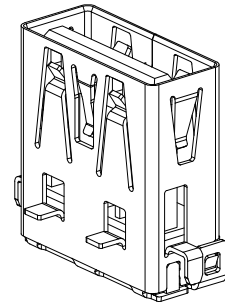
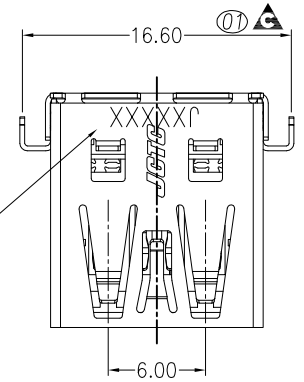
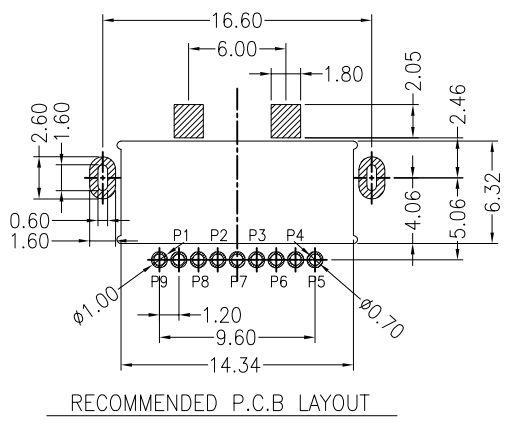
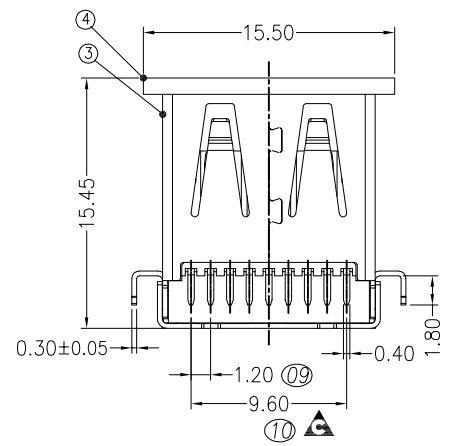
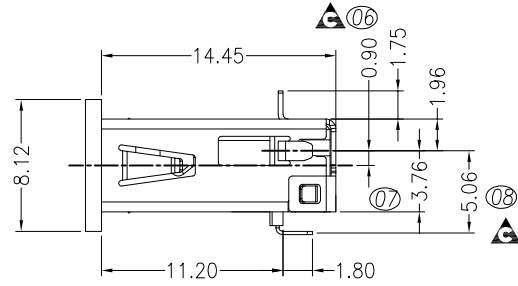
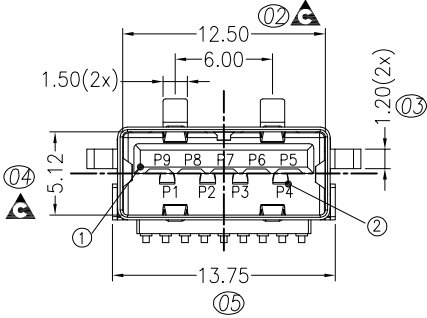


RoHS  
HF

- NOTE:
- MATERIAL:
    - INSULATOR:LCP130I UL94V-0;BLUE
    - CONTACT:C5210-EH(T=0.20mm)
    - SHELL:SUS304-1/2H(T=0.30mm)
    - CAP:LCP130I UL94V-0; BLACK
  - ELECTRICAL CHARACTERISTICS;
    - CONTACT RESISTANCE:30mΩ Max
    - CONTACT CURRENT RATING:1.5A
    - DIELECTRIC WITHSTANDING VOLTAGE:500 V R.M.S.
    - INSULATION RESISTANCE 100 MEGOHMS Min
    - OPERATING TEMPERATURE:-40°C ~ 85°C
  - MECHANICAL CHARACTERISTICS:
    - MATING FORCE:35 N Max
    - UNMATED FORCE:10 N Min INITIAL; 8 N Min AFTER TEST
    - DURABILITY:10,000 CYCLES
4. (XX) MARK IS FAI DIM. (▲) MARK IS CPK DIM.



3D SHOWN



RECOMMENDED P.C.B LAYOUT

PIN	SIGNAL NAME	DESCRIPTION	MATING SEQUENCE
1	VBUS	POWER	SECOND
2	D-	USB 2.0 DIFFERENTIAL PAIR	THIRD
3	D+		
4	GND	GROUND FOR POWER RETURN	SECOND
5	StdA_SSRX-	SUPERSPEED RECEIVER DIFFERENTIAL PAIR	LAST
6	StdA_SSRX+		
7	GND_DRAIN	GROUND FOR SIGNAL RETURN	
8	StdA_SSTX-	SUPERSPEED TRANSMITTER DIFFERENTIAL PAIR	LAST
9	StdA_SSTX+		
Shell	Shield	CONNECTOR METAL SHELL	FRIST

NO.	PARTS	Q'TY	MATERIAL	PLATING&COLOUR
4	CAP	1	LCP130I UL94 V-0	BLACK
3	SHELL	1	SUS304-1/2H T=0.3mm	ALL OVER Ni
2	TERMINAL	9	C5210-EH,T=0.20mm	G/F ON CONTACT ARER Sn 100 u"ON SOLDER AREA ALL OVER Ni 50 u" Min
1	HOUSING	1	LCP130I UL94 V-0	BLUE

版次 REV.	日期 DATE	变更内容 DESCRIPTION	审核 CHK.	核准 APPD.	单位 UNIT	mm
C	14.02.26	Change the date code position	Peak	Rain	一般公差 GENERAL TOLERANCE	
B	14.01.06	Change the shell material and add date code	Peak	Rain	X.X ±0.15	X' ±2'
					X.XX ±0.10	X.X' ±1'
					X.XXX ±0.02	▲ MAJOR DIM.

**WJCT**  
苏州伟聚电子科技有限公司

料号 PART NO. WUSF1609-0A00  
图号 DRAWING NO. 605-0000-0014

品名 TITLE: USB3.0 A/F STRAIGHT TYPE H11.2

比例 SCALE: 1/1    SHEET: 1/1    版次 REV.: C

由 Autodesk 教育版产品制作

由 Autodesk 教育版产品制作