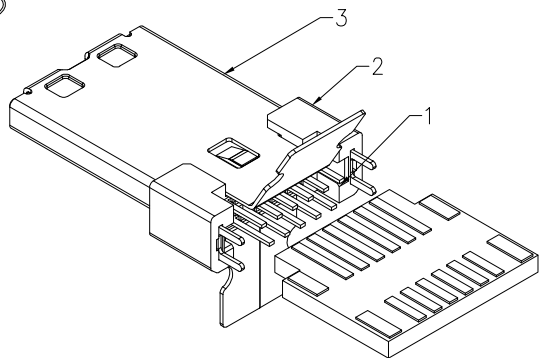
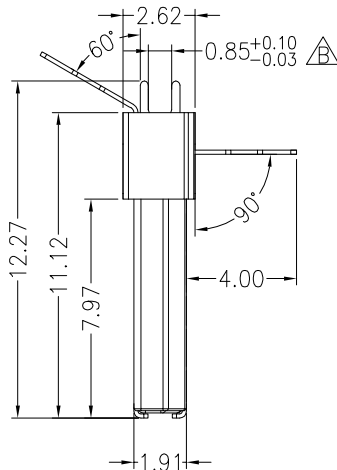


RoHS  
HF

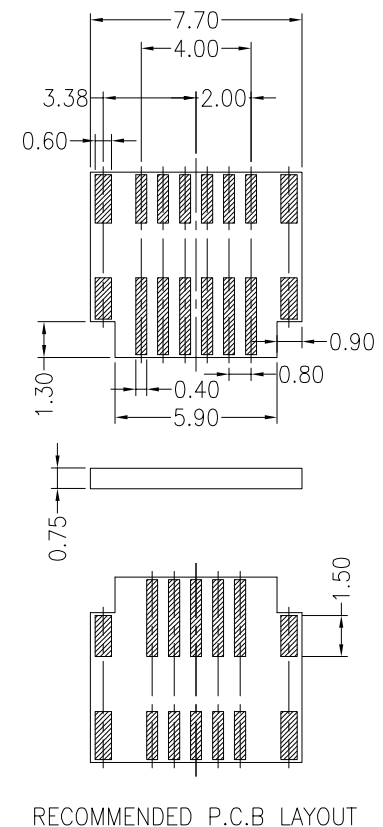
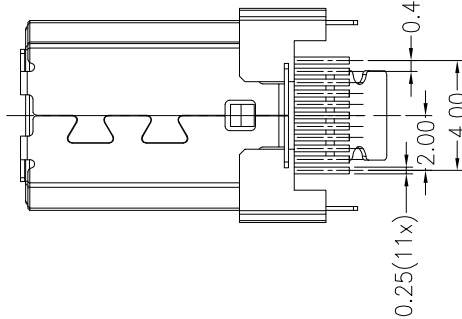
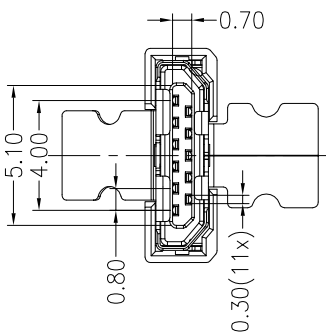
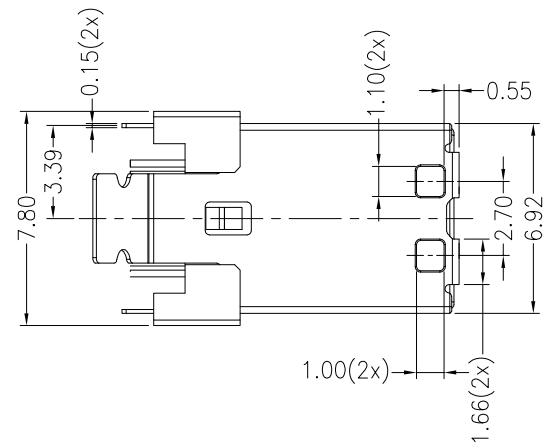


3D SHOEN



Specifications:

- Electrical Characteristics:
  - 1-1. Contact Resistance: 50mΩ Max.(Initial),100mΩ Max.(After test)
  - 1-2.Dielectric Withstanding Voltage:300V AC For One Minute
  - 1-3.Insulation Resistance :1000MΩ Min.MEASURED BY 250V DC.
- Mechanical Characteristics:
  - 2-1. Insertion Force :2.5kgf Max.initial,1.5kgf Max. after test.
  - 2-2. Withdrawal Force: 0.7kgf Min. initial, 0.3kgf Min after test.
- Life Test :5000Cycles.



RECOMMENDED P.C.B LAYOUT

3	SHELL	1	STEEL T=0.15mm	ALL OVER Ni
2	TERMINAL	11	COPPER ALLOY,T=0.15mm	G/F ALL OVER
1	HOUSING	1	LCP UL94 V-0	BLACK
NO.	PARTS	Q'TY	MATERIAL	PLATING&COLOUR

一般公差 GENERAL TOLERANCE					核准 APPD.
X.X	±0.25	X*	±2*	审核 CHK.	品名 TITLE
X.XX	±0.15	X.X*	±1*	绘图 DR.	
X.XXX	±0.05	▲ MAJOR DIM.			
单位 UNIT	mm				



苏州伟聚电子科技有限公司

MINI IO 11P 线端

料号 PART NO. WUSF2211-0A00		
图号 DRAWING NO. 605-0000-0020		
比例 SCALE 1/1	SHEET 1/1	版次 REV. B

A

B

C

D

E

F

A

B

C

D

E

F