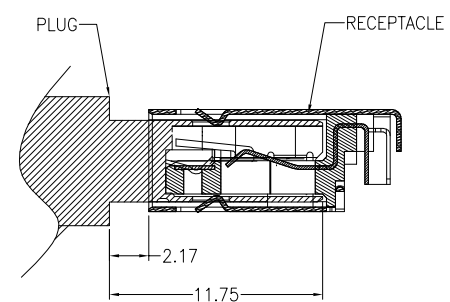
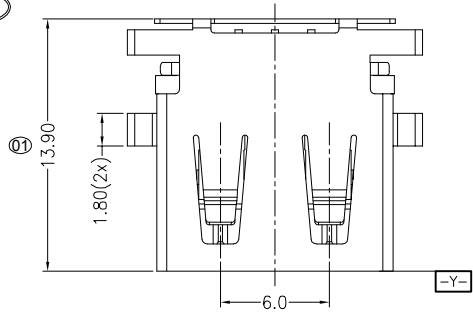
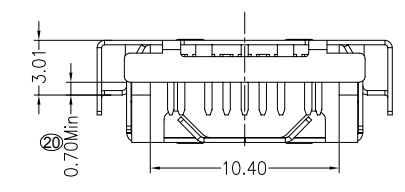
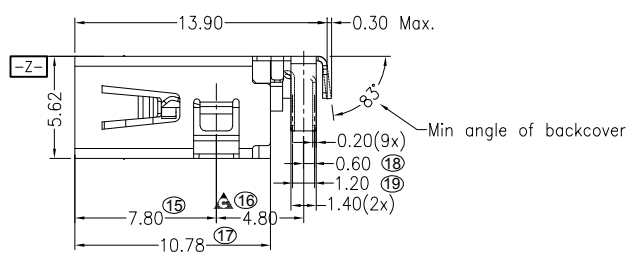
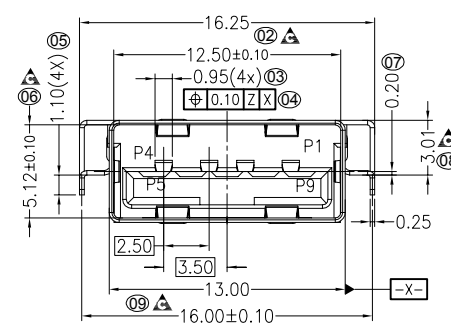


RoHS
HF



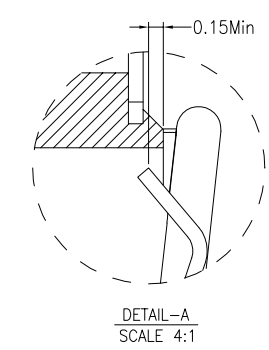
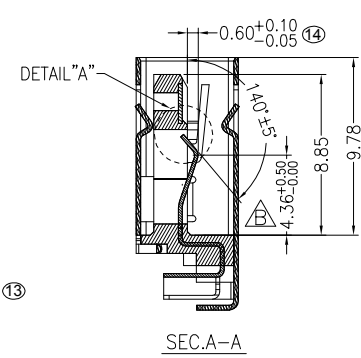
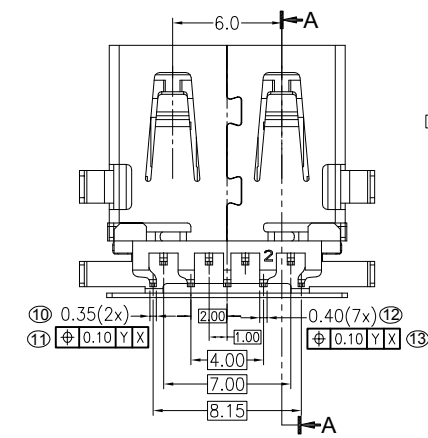
MATING DRAWING

PIN	SIGNAL NAME	DESCRIPTION	MATING SEQUENCE
1	VBUS	POWER	SECOND
2	D-	USB 2.0 DIFFERENTIAL PAIR	THIRD
3	D+		
4	GND	GROUND FOR POWER RETURN	SECOND
5	StdA_SSRX-	SUPERSPEED RECEIVER DIFFERENTIAL PAIR	LAST
6	StdA_SSRX+		
7	GND_DRAIN	GROUND FOR SIGNAL RETURN	LAST
8	StdA_SSTX-	SUPERSPEED TRANSMITTER DIFFERENTIAL PAIR	
9	StdA_SSTX+		
Shell	Shield	CONNECTOR METAL SHELL	FRIST



NOTE:

1. MATERIAL:
- 1.1 INSULATOR: LCP130I UL94V-0; BLUE
 - 1.2 CONTACT: C5210-EH(T=0.20mm)
 - 1.3 SHELL: SUS304(T=0.25mm)
 - 1.4 CAP: LCP130I UL94V-0; BLCAK
2. ELECTRICAL CHARACTERISTICS;
- 2.1 CONTACT RESISTANCE: 30mΩ Max
 - 2.2 CONTACT CURRENT RATING: 1.5A
 - 2.3 DIELECTRIC WITHSTANDING VOLTAGE: 500 V R.M.S.
 - 2.4 INSULATION RESISTANCE 100 MEGOHMS Min
 - 2.5 OPERATING TEMPERATURE: -40°C ~ 85°C
3. MECHANICAL CHARACTERISTICS:
- 3.1 MATING FORCE: 25 N Max
 - 3.2 UNMATED FORCE: 7N~20N INITIAL; 1000CYCLES: CHANGE MORE THAN 50% FROM INITIAL, 10000CYCLES: FUNCTION OK.
 - 3.3 DURABILITY: 10,000 CYCLES
4. ⊗ MARK IS FAI DIM. ▲ MARK IS CPK DIM.

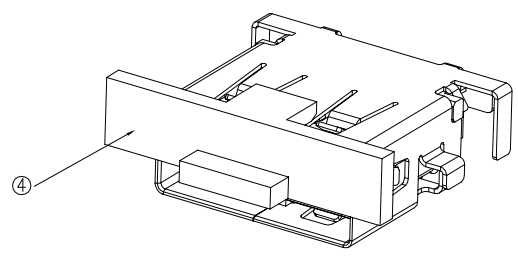


DETAIL-A
SCALE 4:1

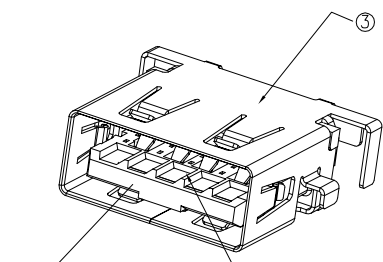
SEC.A-A

REV.	REVISION RECORD	DATE	UNIT: MM	GENERAL TOLERANCES		SCALE: 1:1	NAME	DATE	SUZHOU WEIJU ELECTRONIC TECHNOLOGY CO.,LTD	PART.ND:
A	NEW RELEASE	2017.09.14		SIZE: A4	LINEAR	ANGLES	APPROVED	Ken		2017.09.14
				0.0 ±0.25	X'REF± 6'	DESIGNER	Ken	2017.09.14	WUSF11109-0B00	
				0.00 ±0.10	X' ± 3'	DRAWN	Yangyu	2017.09.14	WUSF11109-0B00	
				0.000±0.05	X'X' ± 2'				REV: A	SHEET: 1/2

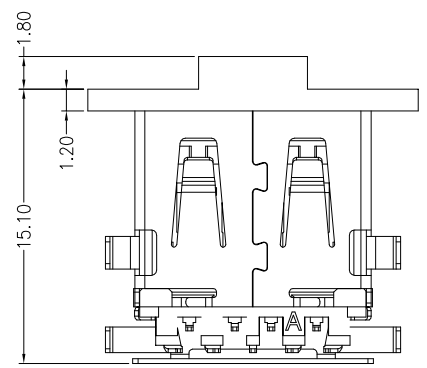
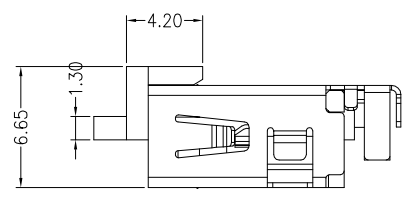
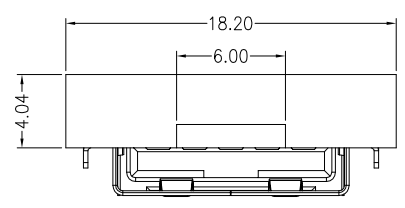
TITLE: USB3.0 REVERSE DIP TYPE H3.0 STANDARD FORM BLUE



WITH CAP

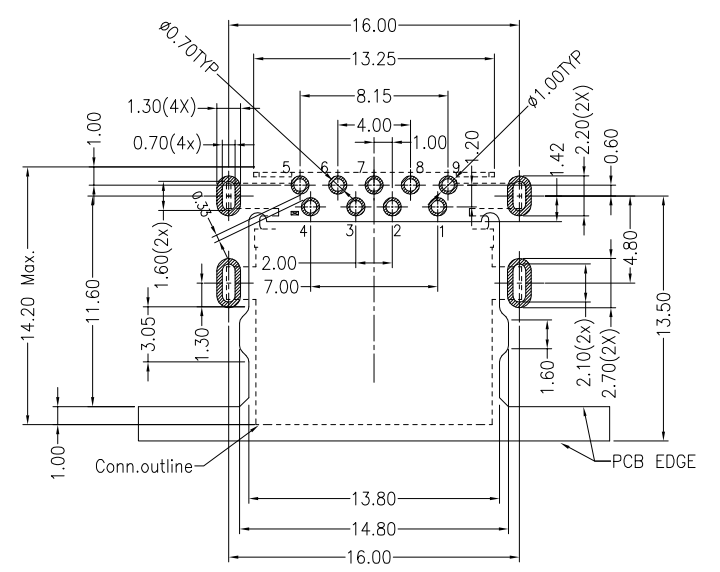


WITHOUT CAP



WITH CAP DIMENSIONS

PART NO:WUSF11109-* * 0 0
 0: REEL PACKAGING
 0: ROHS+HF
 PLATING
 OB: AU 2U" ON CONTACT AREA



TOLERANCE: ± 0.05 , THICKNESS: 0.8~1.0mm
 RECOMMENDED PCB LAYOUT

4	CAP	1	LCP130I UL94 V-0	BLACK
3	SHELL	1	SUS304-H T=0.25mm	ALL OVER Ni
2	TERMINAL	9	C5210-EH,T=0.20mm	2u" Min Au ON CONTACT ARER Sn 100 u"ON SOLDER AREA ALL OVER Ni 50 u" Min
1	HOUSING	1	LCP130I UL94 V-0	BLUE
NO.	PARTS	Q'TY	MATERIAL	PLATING&COLOUR

REV.	REVISION RECORD	DATE		GENERAL TOLERANCES		SCALE: 1:1	NAME	DATE
A	NEW RELEASE	2017.09.14		LINEAR	ANGLES			
			UNIT: MM	0.0 ±0.25	X'REF ± 6'	DESIGNER	Ken	2017.09.14
			SIZE: A4	0.00 ±0.10	X' ± 3'	DRAWN	Yangyu	2017.09.14
				0.00±0.05	X'X' ± 2'			

SUZHOU WEIJU ELECTRONIC TECHNOLOGY CO.,LTD		PART.ND: WUSF11109-0B00	
TITLE: USB3.0 REVERSE DIP TYPE H3.0 STANDARD FORM BLUE		DWG.ND: WUSF11109-0B00	
REV: A	SHEET: 2/2		