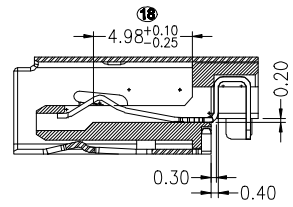
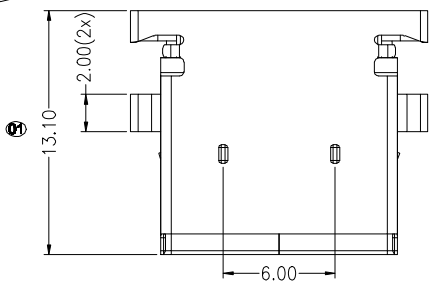
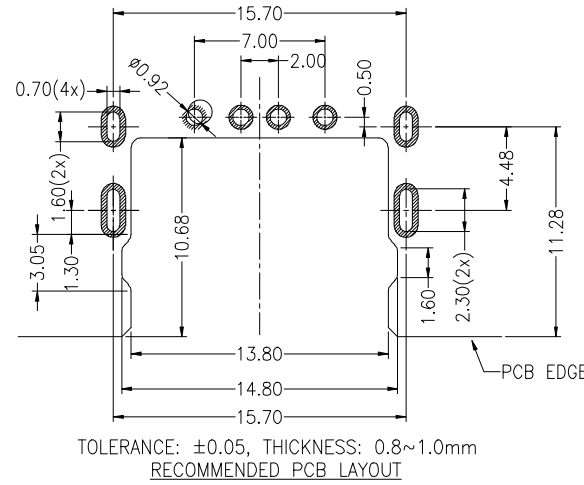
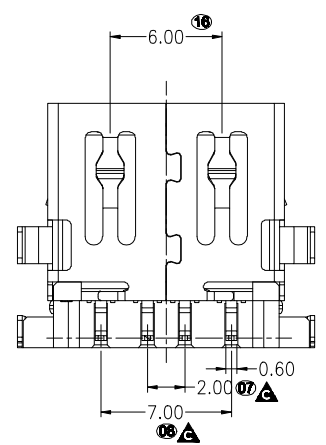
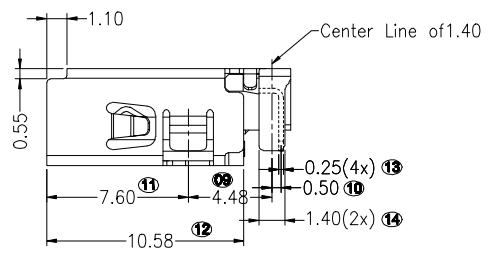
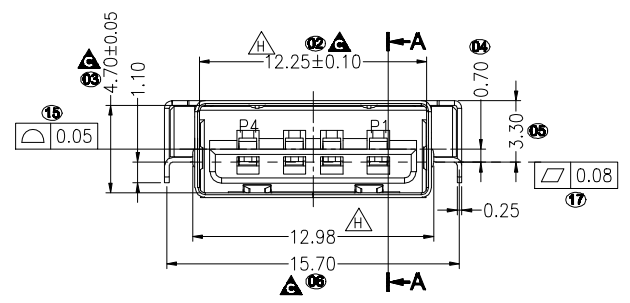


RoHS
HF



SEC.A-A



TOLERANCE: ±0.05, THICKNESS: 0.8~1.0mm
RECOMMENDED PCB LAYOUT

NOTE:

- 1.MATERIAL:
 - 1.1 INSULATOR:LCP130I UL94V-0;BLACK
 - 1.2 CONTACT:C5191-EH(T=0.25mm)
 - 1.3 SHELL:SUS304-1/2H(T=0.25mm)
 - 1.4 CAP:LCP130I UL94V-0;BLACK
- 2.ELECTRICAL CHARACTERISTICS:
 - 2.1 CONTACT RESISTANCE:30mΩ Max
 - 2.2 CONTACT CURRENT RATING:1.5A
 - 2.3 DIELECTRIC WITHSTANDING VOLTAGE:500 V R.M.S.
 - 2.4 INSULATION RESISTANCE 1000 MEGOHMS Min
 - 2.5 OPERATING TEMPERATURE:-40°C ~ 85°C
- 3 MECHANICAL CHARACTERISTICS:
 - 3.1 MATING FORCE:25 N Max
 - 3.2 UNMATED FORCE:7N~20N INITIAL; 1000CYCLES: NO MORE THAN 50% FORM INITIAL, 10000CYCLES: FUNCTION OK.
 - 3.3 DURABILITY:10,000 CYCLES
- 4.⊗ MARK IS FAI DIM. ▲ MARK IS CPK DIM.

PIN	SIGNAL NAME	DESCRIPTION	MATING SEQUENCE
1	VBUS	POWER	SECOND
2	D-	USB 2.0 DIFFERENTIAL PAIR	THIRD
3	D+		
4	GND	GROUND FOR POWER RETURN	SECOND
Shell	Shield	CONNECTOR METAL SHELL	FRIST

4	CAP	1	LCP130I UL94 V-0	BLACK
3	SHELL	1	SUS304-1/2H T=0.25mm	ALL OVER Ni
2	TERMINAL	4	C5191-EH,T=0.25mm	4u" AU ON CONTACT ARER Sn 100 u"ON SOLDER AREA ALL OVER Ni 50 u" Min
1	HOUSING	1	LCP130I UL94 V-0	BLACK
NO.	PARTS	Q'TY	MATERIAL	PLATING&COLOUR

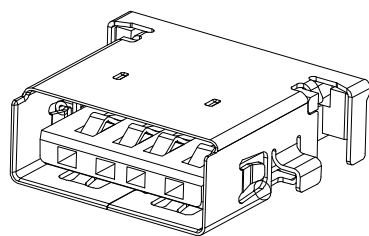
REV.	REVISION RECORD	DATE	GENERAL TOLERANCES	SCALE: 1:1	NAME	DATE
E	Change width of solder dip	01/28'14	LINEAR			
F	Change Contact Depth DIM. to 4.98 ±0.10	03/15'14	ANGLES			
H	Change the size of the shell frame	06/25'14	0.0 ±0.30			
I	Alteration Drawn Frame	08/23'17	0.0 ±0.20			
			0.000±0.10			

WJCT
苏州伟聚电子科技有限公司

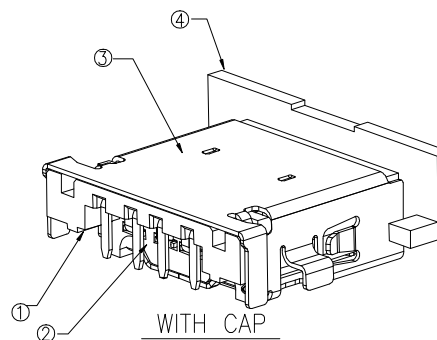
PART.ND: WUSF2204-0A00
DWG.ND: 605-0000-0019
REV: I SHEET: 1/2

TITLE: USB2.0 SLIM REVERSE DIP TYPE

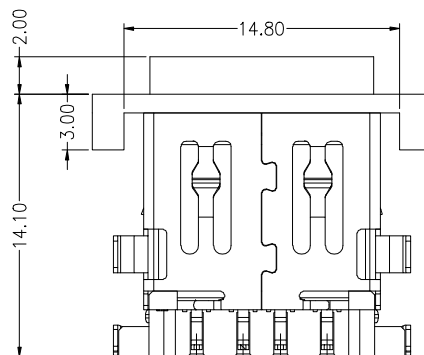
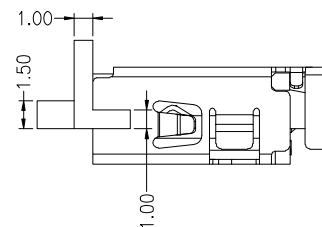
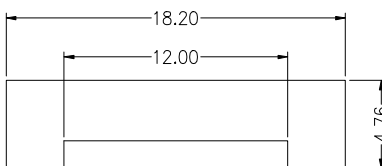
RoHS
HF



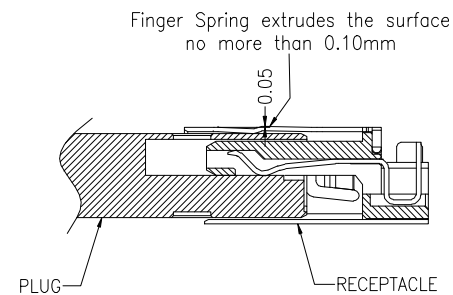
WITHOUT CAP




WITH CAP



WITH CAP DIMENSIONS



MATING DRAWING

REV.	REVISION RECORD	DATE	GENERAL TOLERANCES	SCALE: 1:1	NAME	DATE	 苏州伟聚电子科技有限公司 TITLE: USB2.0 SLIM REVERSE DIP TYPE	PART.ND:
E	Change width of solder dip	01/28'14	LINEAR	APPROVED				605-0000-0019
F	Change Contact Depth DIM. to 4.98 ±0.10	03/15'14	ANGLES	DESIGNER				REV: I
H	Change the size of the shell frame	06/25'14	0.0 ±0.30	X' REF ± 6'				SHEET: 2/2
I	Alteration Drawn Frame	08/23'17	0.00 ±0.20	X' ± 3'				