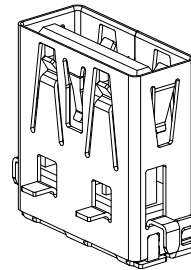
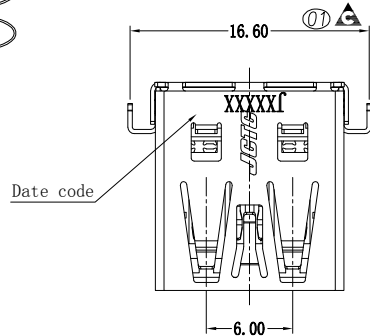


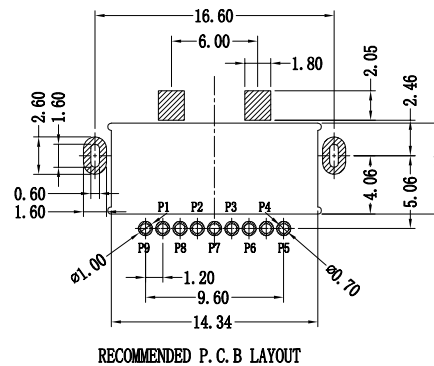
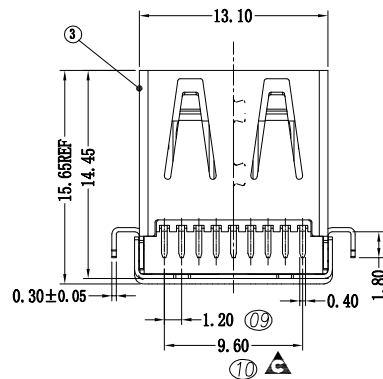
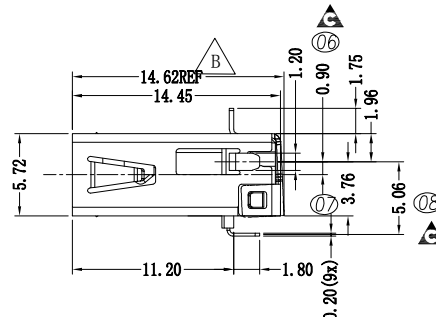
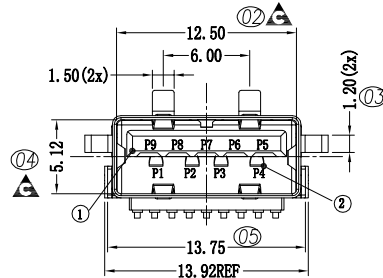
RoHS
HF



3D SHOWN

NOTE:

- MATERIAL:
 - INSULATOR:LCP130I UL94V-0;BLUE
 - CONTACT:C5210-EH(T=0.20mm)
 - SHELL:SUS304-1/2H(T=0.30mm)
 - ELECTRICAL CHARACTERISTICS:
 - CONTACT RESISTANCE:30mΩ Max
 - CONTACT CURRENT RATING:1.5A
 - DIELECTRIC WITHSTANDING VOLTAGE:500 V R.M.S.
 - INSULATION RESISTANCE 100 MEGOHMS Min
 - OPERATING TEMPERATURE:-40° C ~ 85° C
 - MECHANICAL CHARACTERISTICS:
 - MATING FORCE:35 N Max
 - UNMATED FORCE:10 N Min INITIAL; 8 N Min AFTER TEST
 - DURABILITY:10,000 CYCLES
- 4 (X) MARK IS FAI DIM. (A) MARK IS CPK DIM.



RECOMMENDED P. C. B LAYOUT

PIN	SIGNAL NAME	DESCRIPTION	MATING SEQUENCE
1	VBUS	POWER	SECOND
2	D-	USB 2.0 DIFFERENTIAL PAIR	THIRD
3	D+		
4	GND	GROUND FOR POWER RETURN	SECOND
5	StdA_SSRX-	SUPERSPEED RECEIVER DIFFERENTIAL PAIR	
6	StdA_SSRX+		
7	GND_DRAIN	GROUND FOR SIGNAL RETURN	LAST
8	StdA_SSTX-	SUPERSPEED TRANSMITTER DIFFERENTIAL PAIR	
9	StdA_SSTX+		
Shell	Shield	CONNECTOR METAL SHELL	FRIST

3	SHELL	1	SUS304-1/2H T=0.3mm	ALL OVER Ni
2	TERMINAL	9	C5210-EH, T=0.20mm	G/F ON CONTACT ARER Sn 100 u" ON SOLDER AREA ALL OVER Ni 50 u" Min
1	HOUSING	1	LCP130I UL94 V-0	BLUE
NO.	PARTS	Q' TY	MATERIAL	PLATING&COLOUR

REV.	REVISION RECORD	DATE	GENERAL TOLERANCES		SCALE:	NAME	DATE
			LINEAR	ANGLES			
			0.0 ±0.15	X'REF± 6°	APPROVED	BingShao	2014. 12. 24
			0.00 ±0.10	X' ± 3'	DESIGNER	Peak.ke	2014. 12. 24
			0.000±0.05	X'X' ± 2'	DRAWN	Allen.Theng	2014. 12. 24

<p>苏州伟聚电子科技有限公司</p>		PART.NO:		WUSF7709-0A20
		DWG.NO:		605-0000-0069
TITLE:		USB3.0 A/F STRAIGHT TYPE H11.2无盖子		REV: A
				SHEET: 1/1