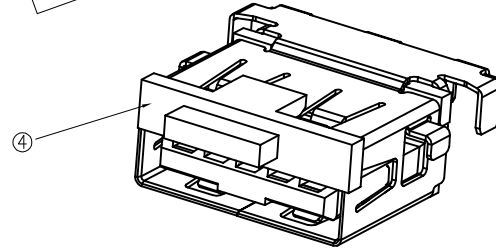


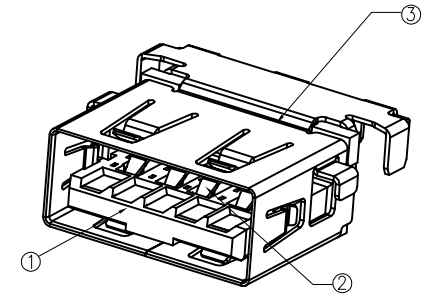
RoHS
HF

Patent Pending

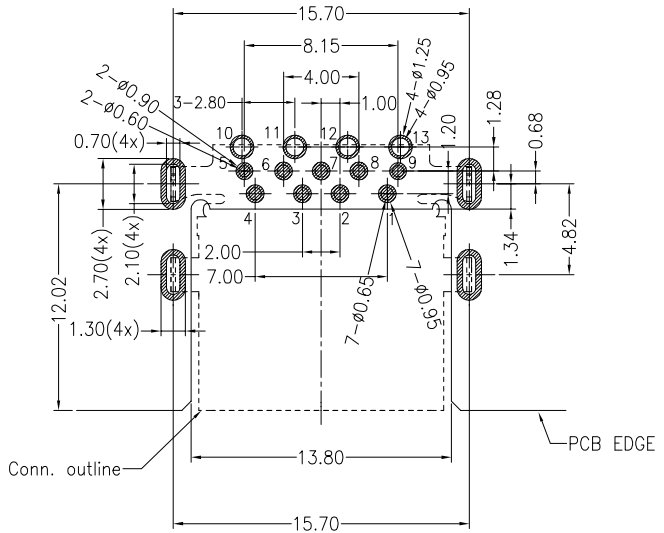
PIN	SIGNAL NAME	DESCRIPTION	MATING SEQUENCE
1	VBUS	POWER	SECOND
2	D-	USB 2.0 DIFFERENTIAL PAIR	THIRD
3	D+	DIFFERENTIAL PAIR	
4	GND	GROUND FOR POWER RETURN	SECOND
5	StdA_SSRX-	SUPERSPEED RECEIVER DIFFERENTIAL PAIR	LAST
6	StdA_SSRX+		
7	GND_DRAIN	GROUND FOR SIGNAL RETURN	
8	StdA_SSTX-	SUPERSPEED TRANSMITTER DIFFERENTIAL PAIR	
9	StdA_SSTX+		
Shell	Shield	CONNECTOR METAL SHELL	FRIST



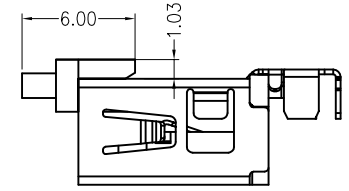
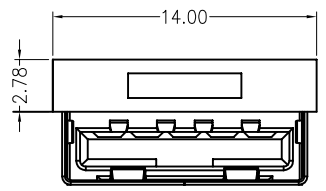
WITH CAP



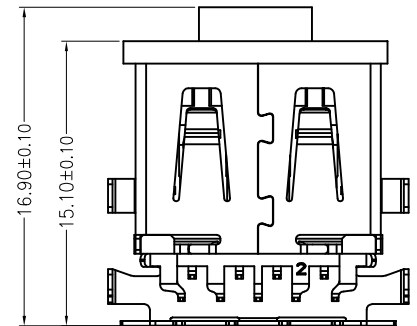
WITHOUT CAP



TOLERANCE: ±0.05, THICKNESS: 0.8~1.0mm
RECOMMENDED PCB LAYOUT



WITH CAP DIMENSIONS



REV.	REVISION RECORD	DATE	GENERAL TOLERANCES		SCALE: 1:1	NAME	DATE	SUZHOU WEIJU ELECTRONIC TECHNOLOGY CO.,LTD	PART.NO:
A	DRAFT VERSION	2017.09.21	LINEAR	ANGLES	APPROVED	Ken	2017.08.21		WUSF10809-0B00
			0.0 ±0.25	X'REF± 6'	DESIGNER	Ken	2017.08.21	DWG.NO:	
			0.00 ±0.10	X' ± 3'	DRAWN	Jon	2017.08.21	WUSF10809	
			0.000±0.05	X'X' ± 2'				REVI: A	SHEET: 2/2

TITLE:
USB3.0 REVERSE CL-1.80 BLUE