

NOTE:

- 1.MATERIAL:
 - 1.1 INSULATOR:LCP130I UL94V-0;BLACK
 - 1.2 CONTACT:C5210-EH(T=0.20mm)
 - 1.3 SHELL:SUS304-H(T=0.25mm)
 - 1.4 CAP:LCP130I UL94V-0;BLCAK
- 2.ELECTRICAL CHARACTERISTICS;
 - 2.1 CONTACTRESISTANCE:30mΩ Max
 - 2.2 CONTACT CURRENT RATING:1.5A
 - 2.3 DIELECTRIC WITHSTANDING VOLTAGE:500 V R.M.S.
 - 2.4 INSULATION RESISTANCE 100 MEGOHMS Min
 - 2.5 OPERATING TEMPERATURE:-40°C ~ 85°C
 - 2.6 SALT SPRAL: TEMPERATURE 35±2, DENSITY 5%IN WEIGHT,PERIOD 72 HOURS.
- 3 MECHANICAL CHARACTERISTICS:
 - 3.1 MATING FORCE:25 N Max
 - 3.2 UNMATED FORCE:7N~20N INITIAL; 1000CYCLES:CHANGE NO MORE THAN 50% FROM INITIAL, 10000CYCLES: FUNCTION OK.
 - 3.3 DURABILITY:10,000 CYCLES
- 4.PLATING:
 - 4.1 CONTACT: Au PLATING ON THE CONTACT AREA,AND 80u"Sn PLATING ON THE SOLDER AREA WITH 50u" NICKEL UNDER PLATING OVERALL.
 - 4.2 SHELL: Ni PLATING OVERALL.
- 5.⊗ MARK IS FAI DIM. ▲ MARK IS CPK DIM.
- 6.PART NO:WUSF9809-* * 0 0
 - 0: REEL PACKAGING
 - 0: ROHS+HF
 - PLATING
 - 0A: AU 1U" ON CONTACT AREA
 - 0D: AU 4U" ON CONTACT AREA

4	CAP	1	LCP130I UL94 V-0	BLACK
3	SHELL	1	SUS304-H T=0.25mm	ALL OVER Ni
2	TERMINAL	9	C5210-EH,T=0.20mm	Au PLATING ON CONTACT ARER Sn 80 u"ON SOLDER AREA ALL OVER Ni 50 u" Min
1	HOUSING	1	LCP130I UL94 V-0	BLACK
NO.	PARTS	Q'TY	MATERIAL	PLATING&COLOUR

REV.	REVISION RECORD	DATE	GENERAL TOLERANCES		SCALE: 1:1	NAME	DATE
A	Officially released with A REC	09/03'16	LINEAR	ANGLES	APPROVED		
B	Alteration Drawn Frame	08/23'17	0.0 ±0.30	X'REF± 6'			
			UNIT: MM	X' ± 3'	DESIGNER		
			SIZE: A4	0.000±0.10	X'X' ± 2'	DRAWN	

WJCT

苏州伟聚电子科技有限公司

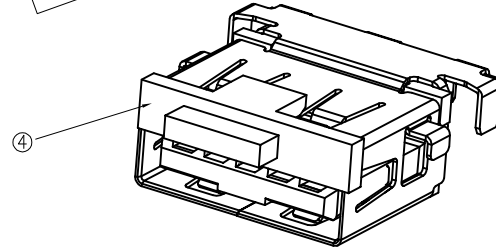
TITLE: USB3.0 REVERSE CL-1.8 Non-CHAMFER

PART.NO:	WUSF9809-XX00	
DWG.NO:	605-0000-0091	
REV:	B	SHEET: 1/2

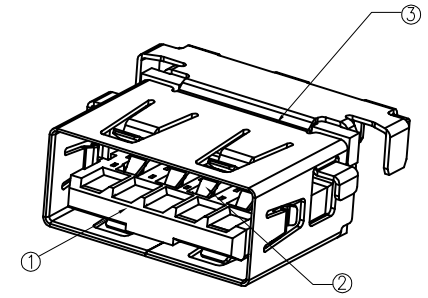
RoHS
HF

PIN	SIGNAL NAME	DESCRIPTION	MATING SEQUENCE
1	VBUS	POWER	SECOND
2	D-	USB 2.0 DIFFERENTIAL PAIR	THIRD
3	D+	DIFFERENTIAL PAIR	
4	GND	GROUND FOR POWER RETURN	SECOND
5	StdA_SSRX-	SUPERSPEED RECEIVER DIFFERENTIAL PAIR	LAST
6	StdA_SSRX+		
7	GND_DRAIN	GROUND FOR SIGNAL RETURN	
8	StdA_SSTX-	SUPERSPEED TRANSMITTER DIFFERENTIAL PAIR	
9	StdA_SSTX+		
Shell	Shield	CONNECTOR METAL SHELL	FRIST

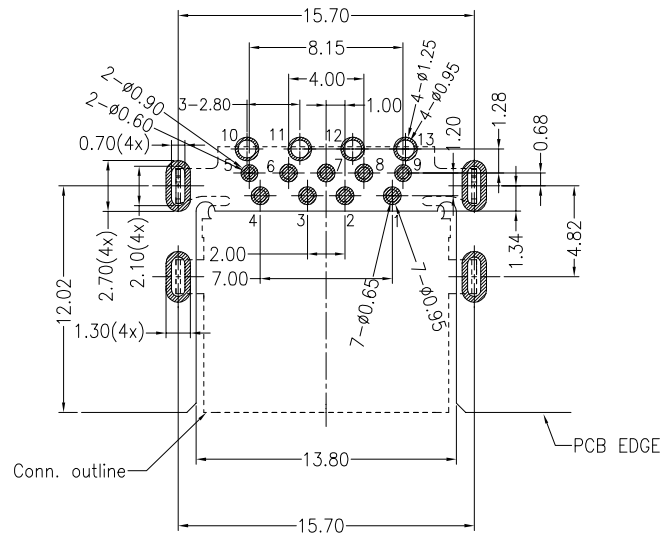
Patent Pending



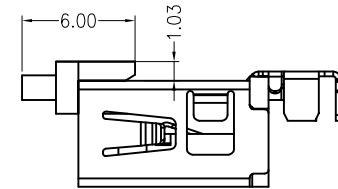
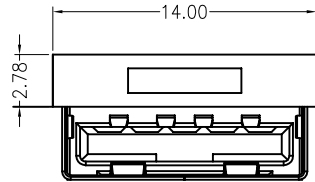
WITH CAP



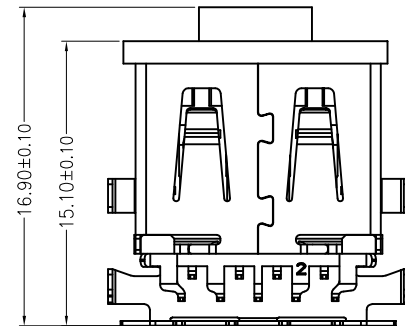
WITHOUT CAP



TOLERANCE: ±0.05, THICKNESS: 0.8~1.0mm
RECOMMENDED PCB LAYOUT



WITH CAP DIMENSIONS



REV.	REVISION RECORD	DATE	GENERAL TOLERANCES	SCALE: 1:1	NAME	DATE	PART.NO:
A	Officially released with A REC	09/03'16	0.0 ±0.30	X'REF ± 6'			DWG.NO:
B	Alteration Drawn Frame	08/23'17	0.00 ±0.20	X' ± 3'			605-0000-0091
			0.000±0.10	X'X' ± 2'			REV: B
<p style="text-align: center;">WJCT 苏州伟聚电子科技有限公司</p> <p>TITLE: USB3.0 REVERSE CL-1.8 Non-CHAMFER</p>							SHEET: 2/2