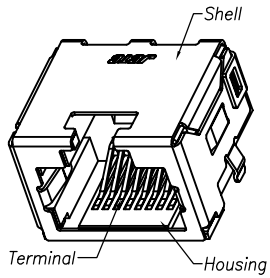
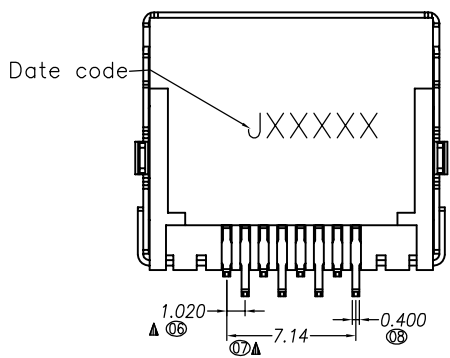
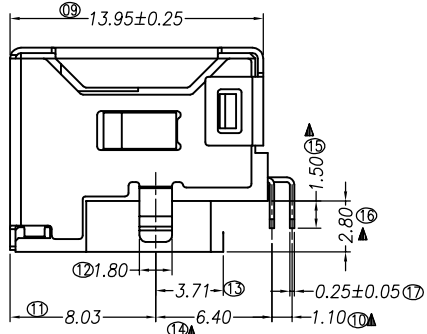
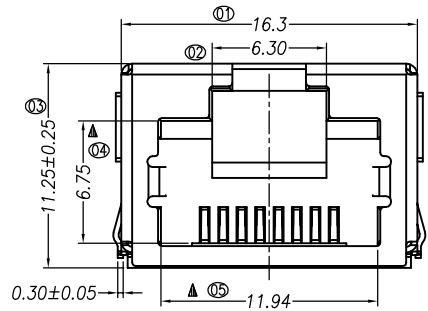
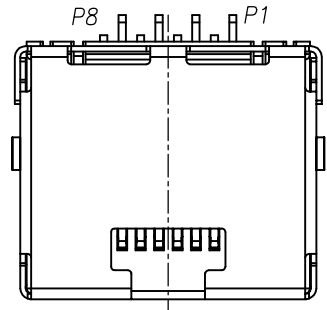


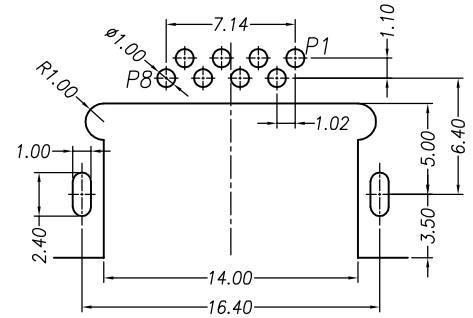
RoHS
HF



SPECIFICATIONS:

1. ELECTRICAL CHARACTERISTICS:
 - 1-1. CURRENT RATING: 1.0A MAX.
 - 1-2. VOLTAGE RATING: 5V MAX.
 - 1-3. CONTACT RESISTANCE : 30mΩ MAX.(INITIAL).
45mΩ MAX.(AFTER LIFE TEST).
 - 1-4. INSULATION RESISTANCE : 100MΩ MIN.
 - 1-5. WITHSTAND VOLTAGE : 100V 1 MINUTE.
2. MECHANICAL CHARACTERISTICS:
 - 2-1. DURABILITY: 3000 CYCLES.
 - 2-2. INSERTION FORCE: 4.0 Kg MAX. WITH LATCH DEPRESSED.
 - 2-3. WITHDRAWAL FORCE: 5.5Kg MIN . WITH LATCH DEPRESSED.
 - 2-4. OPERATING TEMPERATURE: -30℃ ~ +70℃.
3. ⊗ MARK IS FAI DIM. ▲ MARK IS MARJ DIM.
4. PART NO: WRJ10408-0A * 0

0: REEL PACKING
1: Tray PACKING
GOLD PLATING



RECOMMENDED PCB LAYOUT(T=1.20mm)
UNLESS TOLERANCE:±0.05

C	Shell	1	STAINLESS STEEL	NI PLATING ALL OVER
B	Terminal	8	PHOSPHOR BRONZE	G/F ON CONTACT AREA; Sn 100u" ON SOLDER TAIL ALL OVER Ni 50u"MIN.
A	Housing	1	HIGH TEMP.THERMOPLASTIC	UL 94V-0 & BLACK
NO	DESCRIPTION	QTY	MATERIAL	PLATING & COLOR



苏州伟聚电子科技有限公司

品名 TITLE		PART NO. WRJ10408-0AX0	
		DRAWING NO. 650-0000-0004	
比例 SCALE	SHEET	版次 REV.	
1/1	1/1	A	

A				一般公差 GENERAL TOLERANCE		审核 DR. Peak.ke	
				X.X ±0.30	X" ±2"	审核 CHK. Peak.ke	
				X.XX ±0.20	X.X" ±1"		
				X.XXX ±0.10	▲ MAJOR DIM.		
版次 REV.	日期 DATE	变更内容 DESCRIPTION	审核 CHK.	批准 APPD.	UNIT mm	Rajm.Pan	
A	7.17'13	New edition	Peak.ke	Rajm.Pan			