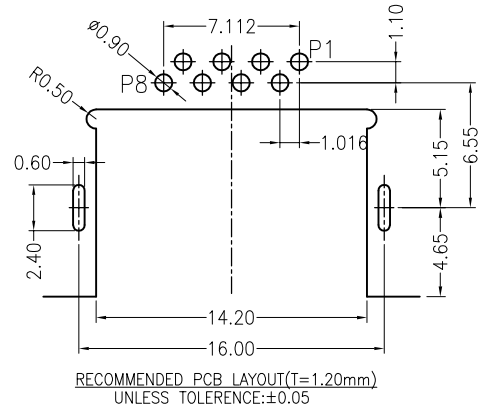
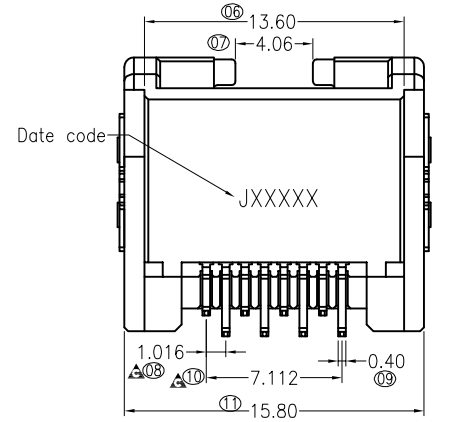
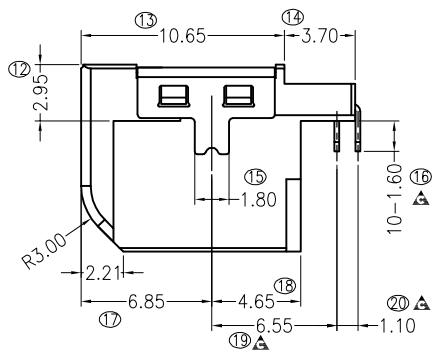
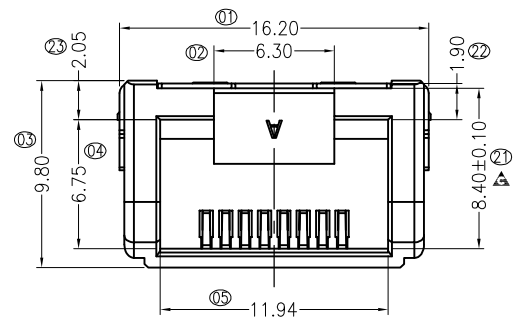
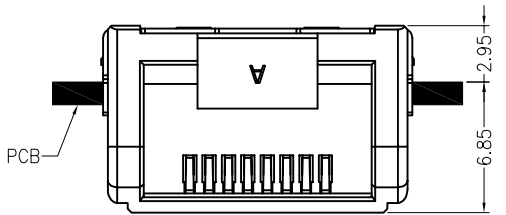
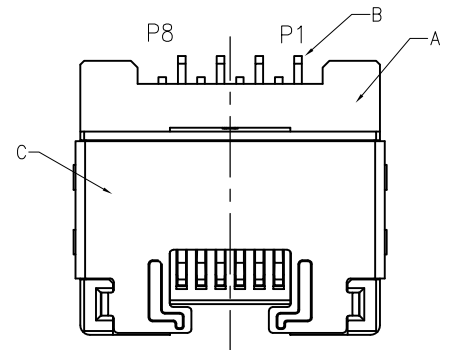


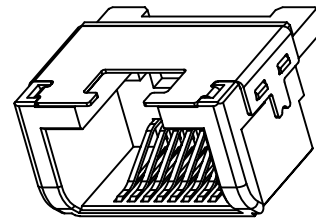
RoHS
HF



SPECIFICATIONS:

1. ELECTRICAL CHARACTERISTICS:
 - 1-1. CURRENT RATING: 0.5A MAX.
 - 1-2. VOLTAGE RATING: 5V MAX.
 - 1-3. CONTACT RESISTANCE : 30mΩ MAX.(INITIAL).
45mΩ MAX.(AFTER LIFE TEST).
 - 1-4. INSULATION RESISTANCE : 100MΩ MIN.
2. MECHANICAL CHARACTERISTICS:
 - 2-1. DURABILITY: 3000 CYCLES.
 - 2-2. INSERTION FORCE: 2.25Kg MAX. WITH LATCH DEPRESSED.
 - 2-3. WITHDRAWAL FORCE: 4.5Kg MIN . WITH LATCH DEPRESSED.
 - 2-4. OPERATING TEMPERATURE: -30℃ ~ +70℃.
3. ⊙MARK IS FAI DIM. ▲MARK IS CPK DIM.
4. PART NO: WRJ10208-0A*0

0: reel packing
1: tray packing
GOLD PLATING



C	SHELL	1	STAINLESS STEEL	NI PLATING ALL OVER
B	CONTACT	8	PHOSPHOR BRONZE	G/F ON CONTACT AREA; Sn 100u" ON SOLDER TAIL; ALL OVER Ni 50u"MIN.
A	BODY	1	HIGH TEMP.THERMOPLASTIC	UL 94V-0 & BLACK
NO	DESCRIPTION	QTY	MATERIAL	PLATING & COLOR

				一般公差 GENERAL TOLERANCE		繪圖 DR.		
				X.X ±0.25	X' ±2'			
				X.XX ±0.15	X.X' ±1'			
				X.XXX ±0.10	▲ MAJOR DIM.			
				單位 UNIT	圖樣			
				mm	APPD.			

WJCT
苏州伟聚电子科技有限公司
TITLE
RJ45 H2.95 DIP TYPE

料號 PART NO.		WRJ10208-0A00	
圖號 DRAWING NO.		650-0000-0002	
比例 SCALE	1/1	張數 SHEET	1/1
版次 REV.	B		

A
B
C
D
E
F

A
B
C
D
E
F