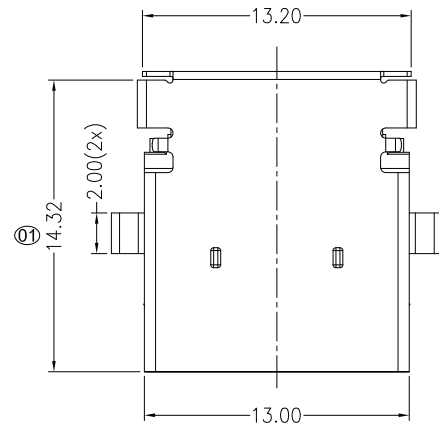


RoHS
HF



PIN	SIGNAL NAME	DESCRIPTION	MATING SEQUENCE
1	VBUS	POWER	SECOND
2	D-	USB 2.0 DIFFERENTIAL PAIR	THIRD
3	D+		
4	GND	GROUND FOR POWER RETURN	SECOND
5	StdA_SSRX-	SUPERSPEED RECEIVER DIFFERENTIAL PAIR	LAST
6	StdA_SSRX+		
7	GND_DRAIN	GROUND FOR SIGNAL RETURN	LAST
8	StdA_SSTX-	SUPERSPEED TRANSMITTER DIFFERENTIAL PAIR	LAST
9	StdA_SSTX+		
Shell	Shield	CONNECTOR METAL SHELL	FRIST

NOTE:

1.MATERIAL:

- 1.1 INSULATOR:LCP130I UL94V-0;BLACK
- 1.2 CONTACT:C5210-EH(T=0.20mm)
- 1.3 SHELL:SUS304-1/2H(T=0.25mm)
- 1.4 CAP:LCP130I UL94V-0;BLCAK

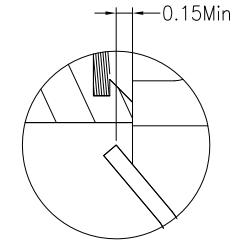
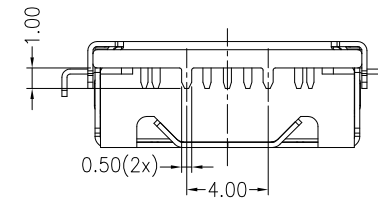
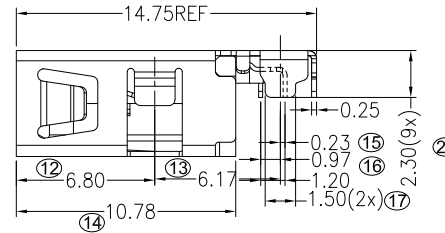
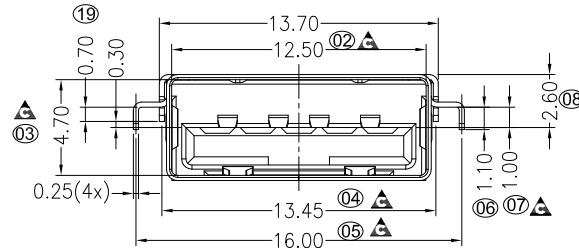
2.ELECTRICAL CHARACTERISTICS;

- 2.1 CONTACTRESISTANCE:30mΩ Max
- 2.2 CONTACT CURRENT RATING:1.5A
- 2.3 DIELECTRIC WITHSTANDING VOLTAGE:500 V R.M.S.
- 2.4 INSULATION RESISTANCE 100 MEGOHMS Min
- 2.5 OPERATING TEMPERATURE:-40°C ~ 85°C

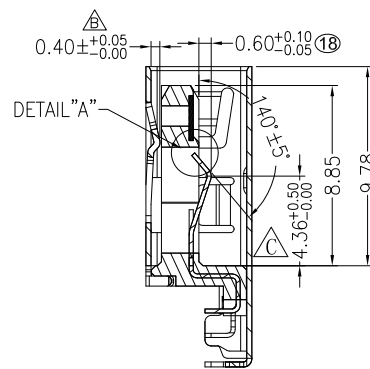
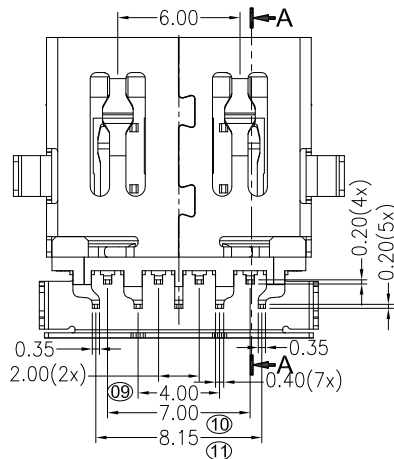
3 MECHANICAL CHARACTERISTICS:

- 3.1 MATING FORCE:25 N Max
- 3.2 UNMATED FORCE:7N~20N INITIAL; 1000CYCLES:CHANGE NO MORE THAN 50% FROM INITIAL, 10000CYCLES: FUNCTION OK.
- 3.3 DURABILITY:10,000 CYCLES

4. ⊗ MARK IS FAI DIM. ▲ MARK IS CPK DIM.



DETAIL-A
SCALE 4:1



SEC.A-A

4	CAP	1	LCP130I UL94 V-0	BLACK
3	SHELL	1	SUS304-1/2H T=0.25mm	ALL OVER Ni
2	TERMINAL	9	C5210-EH,T=0.20mm	4u" Min Au ON CONTACT ARER Sn 100 u"ON SOLDER AREA ALL OVER Ni 50 u" Min
1	HOUSING	1	LCP130I UL94 V-0	BLACK
NO.	PARTS	Q'TY	MATERIAL	PLATING&COLOUR

REV.	REVISION RECORD	DATE	GENERAL TOLERANCES		SCALE:1:1	NAME	DATE
A	INITIAL RELEASE	2014. 12. 05	LINEAR	ANGLES	APPROVED		
B	ADD CONTACT DIMENSION	2016/05/17	0.0 ±0.15	X'REF± 6°			
			0.00 ±0.10	X' ± 3'	DESIGNER		
			0.000±0.05	X'X' ± 2'	DRAWN		

WJCT

苏州伟聚电子科技有限公司

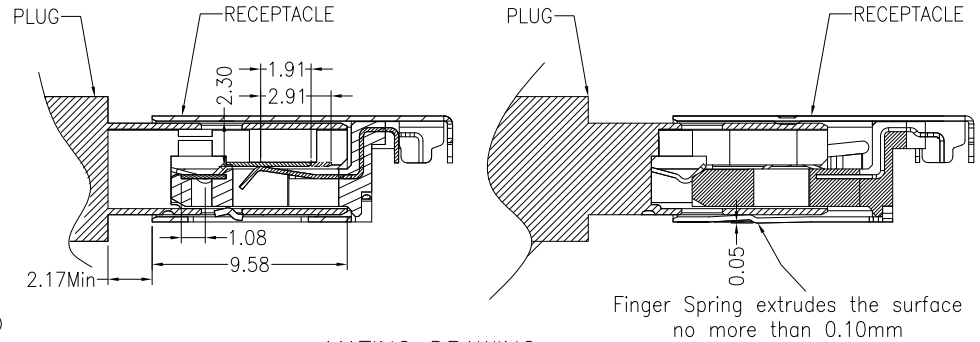
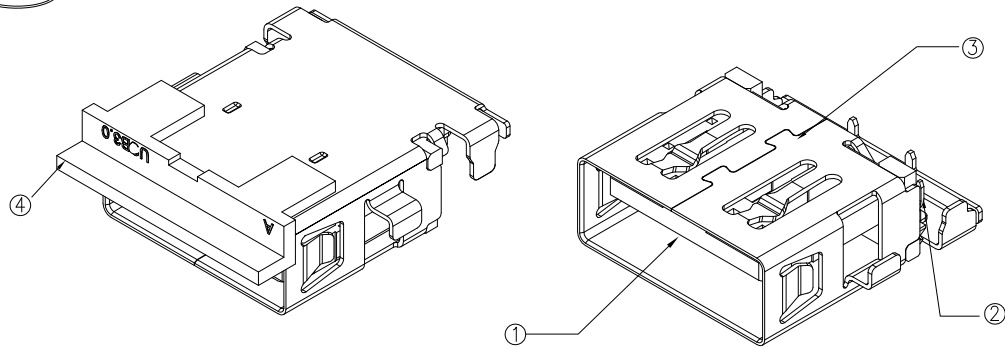
TITLE:
USB3.0 SLIM REVERSE DIP TYPE CL1.0

PART.ND:
WUSF3909-0D00

DWG.ND:
605-0000-0030

REV: C SHEET: 1/2

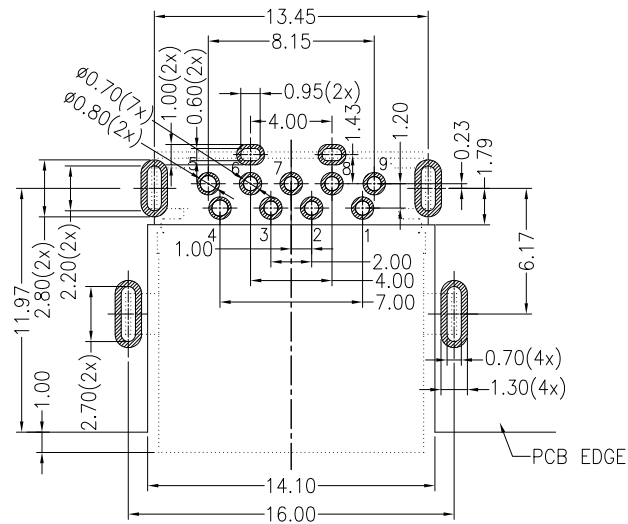
RoHS
HF



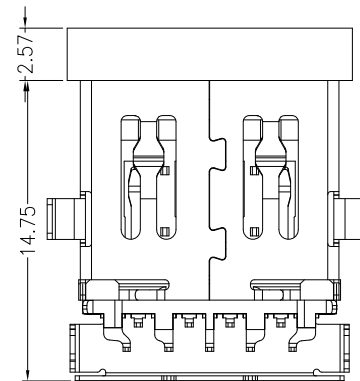
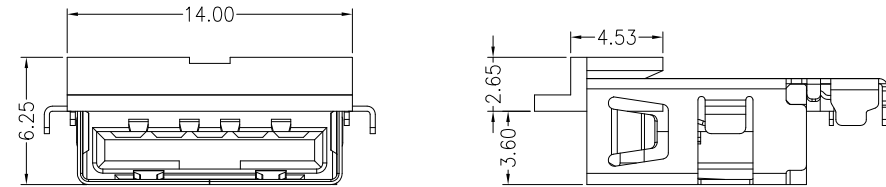
MATING DRAWING

WITH CAP

WITHOUT CAP



TOLERANCE: ± 0.05 , THICKNESS: 0.7mm
RECOMMENDED PCB LAYOUT



WITH CAP DIMENSIONS

REV.	REVISION RECORD	DATE		GENERAL TOLERANCES		SCALE:1:1	NAME	DATE	 苏州伟聚电子科技有限公司 TITLE: USB3.0 SLIM REVERSE DIP TYPE CL1.0	PART.ND:
A	INITIAL RELEASE	2014. 12. 05			LINEAR	ANGLES				
B	ADD CONTACT DIMENSION	2016/05/17		0.0 ± 0.15	X'REF $\pm 6'$	APPROVED				DWG.ND: 605-0000-0030
			UNIT: MM	0.00 ± 0.10	X' $\pm 3'$	DESIGNER				REV: C
			SIZE: A4	0.000 ± 0.05	X'X' $\pm 2'$	DRAWN			SHEET: 2/2	