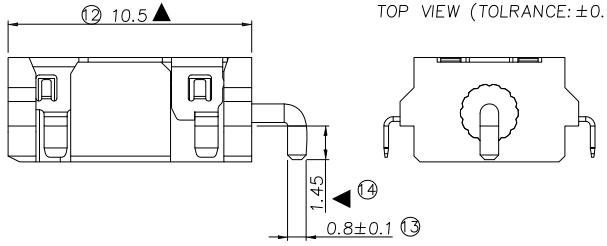
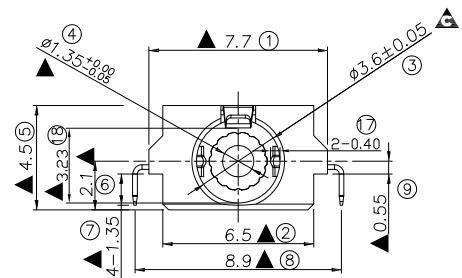
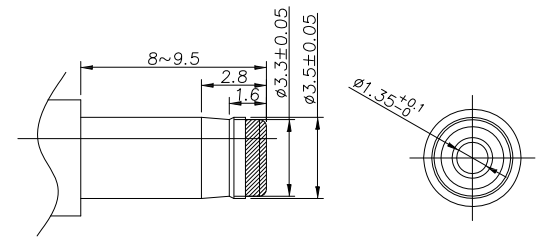
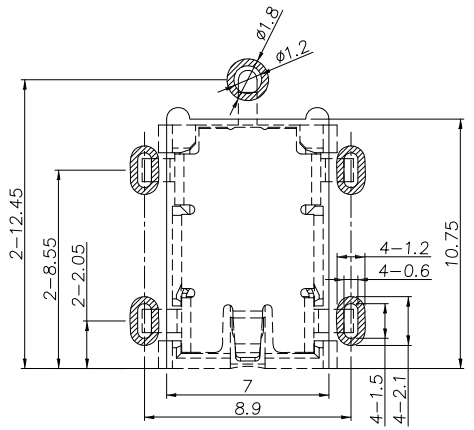
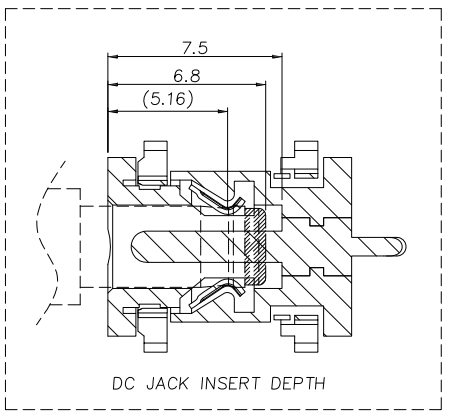
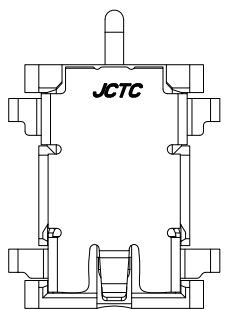
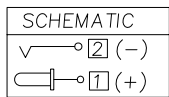
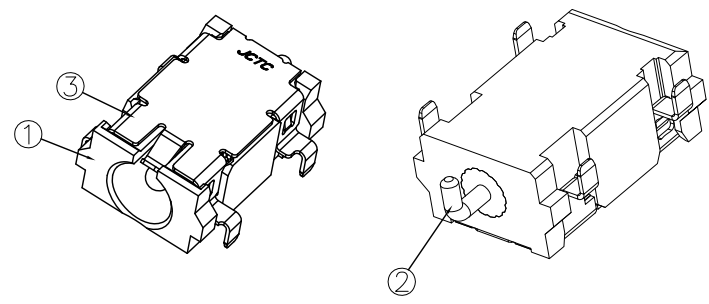
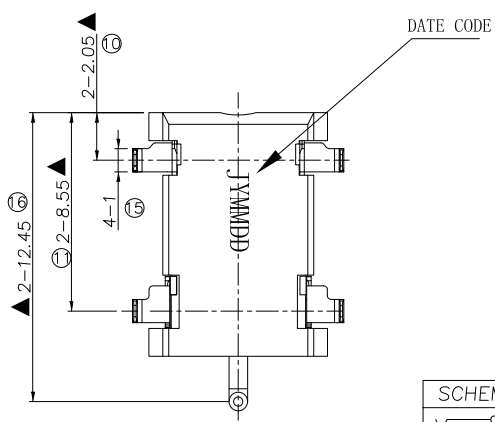


RoHS
HF



- SPECIFICATION:
- Electrical characteristics
 - Current rating: DC 3A MAX.
 - Voltage rating: DC 20V
 - Contact resistance: 30mΩ MAX. (initial)
50mΩ MAX. (final)
 - Insulation resistance: 100MΩ MIN. (500V DC)
 - Withstanding voltage: 500V AC
 - Mechanical characteristics
 - Life test: 5000 cycles MIN.
 - Mating force: 3-25N
Unmating force: 3-25N
 - The dim. marked with "▲" are CTQ dim.
The dim. marked with "▲" are CPK dim.
 - DATE CODE: J (JCTC) Y (YEAR), MM (MONTH), DD (DATE)



③	SPRING	②	1	PHOSPHOR BRONZE	Ni plating
②	CENTER PIN	①	1	BRASS	G/F PLATING
①	HOUSING		1	LCP/PA9T,UL94 V-0	BLACK
NO.	PART NAME	Q'TY		MATERIAL	DESCRIPTION

REV.	REVISION RECORD	DATE	GENERAL TOLERANCES		SCALE: 1:1	NAME	DATE
A	First Version Issue	6/6' 15	LINEAR	ANGLES	APPROVED	DESIGNER	DATE
B	Modify structure	9/18' 15					
			0.00 ±0.20	X' ± 3'			
			0.000±0.10	X'X' ± 2'	DRAWN	WSM	9/18' 15

JCTC 苏州伟聚 东莞胜景
TERMINAL & CONNECTORS 东莞胜蓝 东莞富强

TITLE: 3.5 2.95H DC JACK

PART.NO:	WJA11005-0A00
DWG.NO:	620-0000-0007
REV: B	SHEET: 1/1