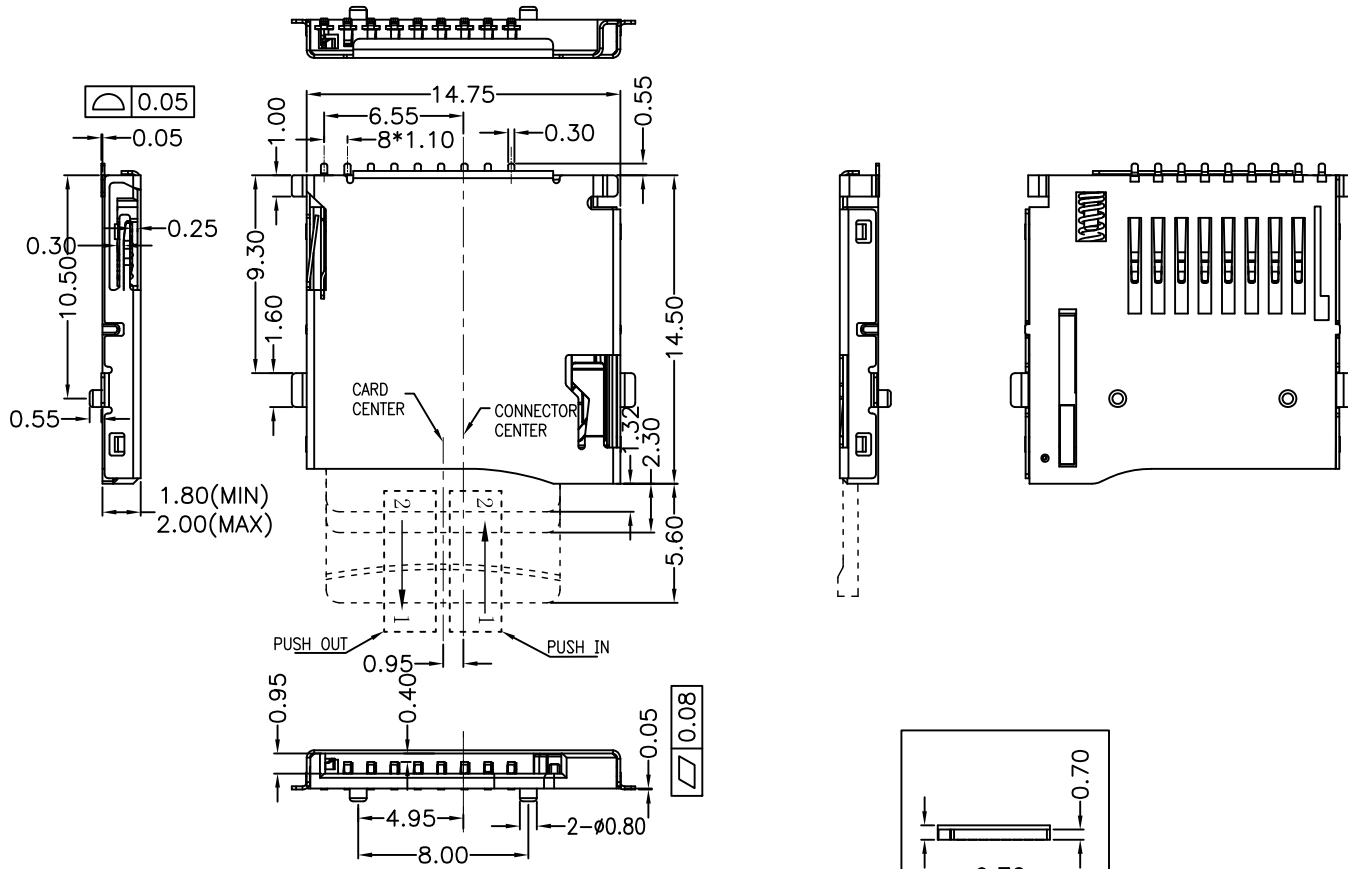
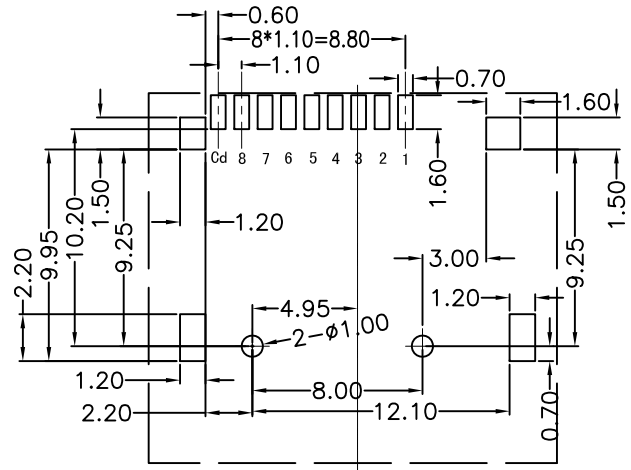


RoHS



- NOTES:
- MATERIAL:
HOUSING: HIGH TEMPERATURE THERMOPLASTIC UL94V_0,COLOR:BLACK.
CONTACT: COPPER ALLOYS.
COVER: COPPER ALLOYS OR STEEL.
 - PLATING:
UNDERPLATE: NICKEL.
CONTACT AREA: GOLD OVER NICKEL.
SOLDER AREA: TIN OVER NICKEL.
 - MULTIMEDIA CARD COMPATIBLE



PIN NO.	NAME	YTYPE	DESCRIPTION
1	DAT2	I/O/PP	DATE LINE(BIT2)
2	CD/DAT3	I/O/PP	CARD DETECT DATE LIN(BIT3)
3	CMD	PP	COMMAND RESPONSE
4	VDD	S	SUPPLY VOLTAGE
5	CLX	I	CLOCK
6	VSS	S	SUPPLY VOLTAGE GROUND
7	DATO	I/O/PP	DATE LINE(BIT0)
8	DAT1	I/O/PP	DATE LINE(DIT1)

REV.	REVISION RECORD	DATE	GENERAL TOLERANCES		SCALE:	NAME	DATE	PART.ND: W-00-7027-0800
			LINEAR	ANGLES	APPROVED	Bing Shao	05.11.12	
			0.0 ±0.35	X'REF ± 6°	DESIGNER	Peck.ke	05.11.12	REV: A
			0.00 ±0.25	X' ± 3'	DRAWN	Allen Zhong	05.11.12	SHEET: 1/1
			0.000±0.20	X'X' ± 2'	TITLE: T-FLASH 外焊 (定位柱8.8H)			

JCTC 苏州伟聚 东莞胜景
TERMINAL & CONNECTORS 东莞胜蓝 东莞富强