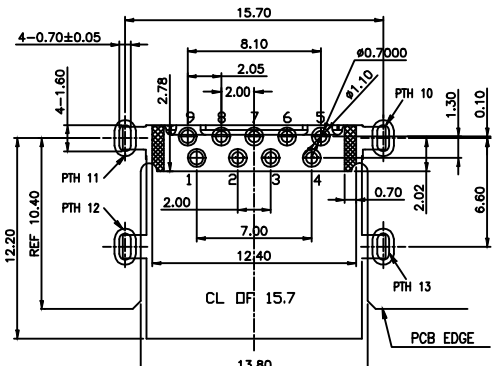
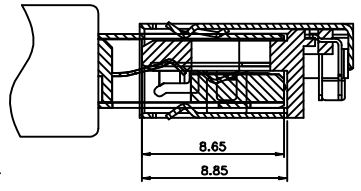
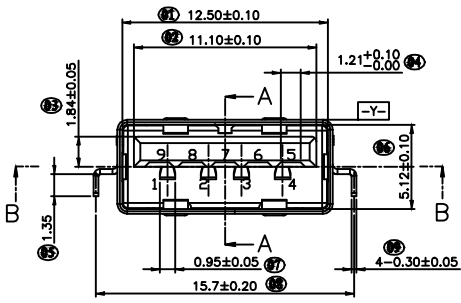
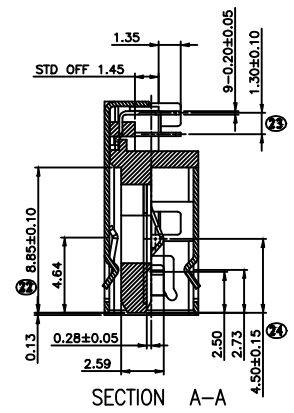
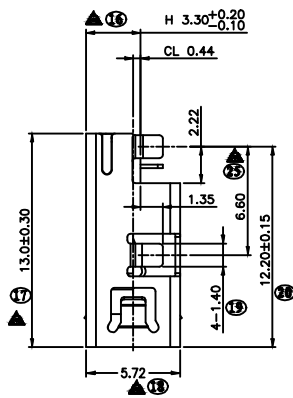
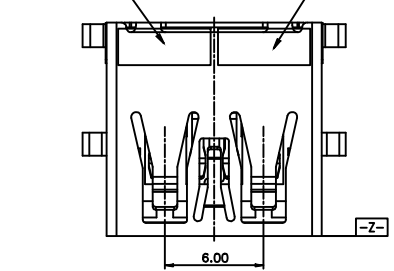
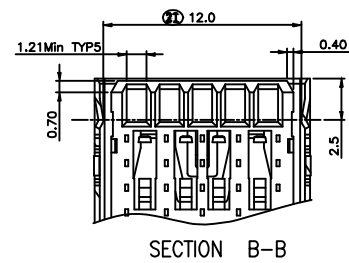
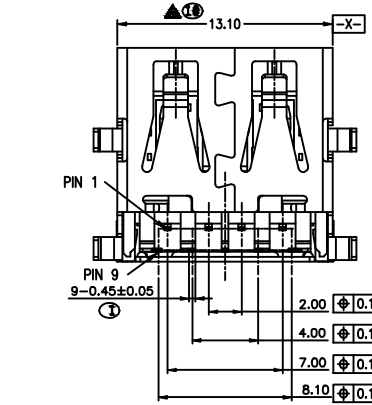


RoHS
COMPANY LOGO HF
DATE CODE



TOLERANCE: ±0.05, THICKNESS: 1.2mm
RECOMMENDED PCB LAYOUT
(TOP VIEW)
KEEP OUT AREA



No.	Part Name	Q'TY	Material	Finish
1	HOUSING	1	LCP	white
2	SHELL	1	SUS201 H	Ni PLATING
3	CONTACT TERMINAL	1	C5210 EH	SEE NOTES

Pin #	SIGNAL NAME	DESCRIPTION	MATING SEQUENCE
1	VBUS	POWER	SECOND
2	D-	USB 2.0 DIFFERENTIAL PAIR	THIRD
3	D+	DIFFERENTIAL PAIR	
4	GND	GROUND FOR POWER RETURN	SECOND
5	Std_SSRX-	SUPERSPEED RECEIVER DIFFERENTIAL PAIR	LAST
6	Std_SSRX+		
7	GND_DRAIN	GROUND FOR SIGNAL RETURN	
8	Std_SSTX-	SUPERSPEED TRANSMITTER DIFFERENTIAL PAIR	
9	Std_SSTX+		
Shell	Shield	CONNECTOR METAL SHELL	FRIST

- NOTES:**
- MATERIAL:**
 - INSULATOR: HIGH TEMPERATURE PLASTIC UL 94 V-0; 白色
 - CONTACT: COPPER ALLOY (T=0.20mm)
 - SHELL: SUS201 (T=0.30mm)
 - ELECTRICAL CHARACTERISTICS:**
 - CONTACT RESISTANCE: 30mΩ Max
 - CONTACT CURRENT RATING: 1.5A
 - DIELECTRIC WITHSTANDING VOLTAGE: 500 V R.M.S.
 - INSULATION RESISTANCE 100 MEGOHMS Min
 - OPERATING TEMPERATURE: -40° C ~ 85° C
 - MECHANICAL CHARACTERISTICS:**
 - MATING FORCE: 35 N Max
 - UNMATED FORCE: 10 N Min INITIAL; 8 N Min AFTER TEST
 - DURABILITY: 5,000 CYCLES
 - PLATING:**
 - TERMINAL CONTACT: 50u" MIN NICKEL UNDERPLATING, GOLD FLASH ON CONTACT AREA AND 80u" MIN Matte Tin ON SOLDER AREA
 - SHELL: 50u" MIN. SOLDERABLE NICKEL ALL OVER.
 - ⊗ MARK IS MAJOR DIM. ▲ MARK IS CPK DIM.

REV.	REVISION RECORD	DATE	GENERAL TOLERANCES		SCALE: 1:1	NAME	DATE	PART NO:
			LINEAR	ANGLES				WUSP0809-0A00W
			0.0 ±0.30	X'REF ± 6'	APPROVED			DWG NO: WUSP0809-0A00W
			0.00 ±0.20	X' ± 3'	DESIGNER			REV: A SHEET: 1/1
			0.000±0.10	X'X' ± 2'	DRAWN			

WJCT

苏州伟聚电子科技有限公司

USB3.0 STD, H3.30, DIP TYPE

PART NO: WUSP0809-0A00W

DWG NO: WUSP0809-0A00W

REV: A SHEET: 1/1