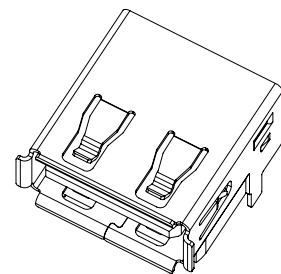
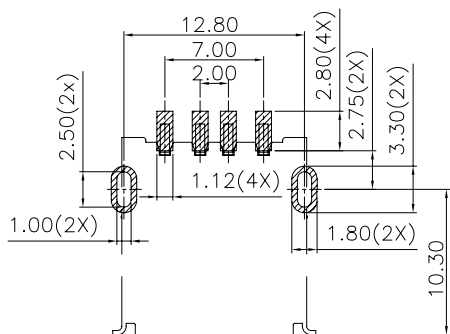
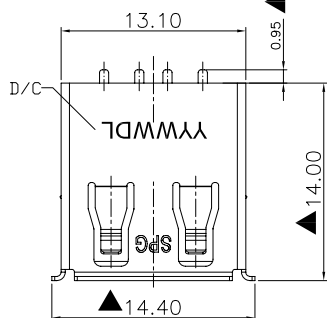
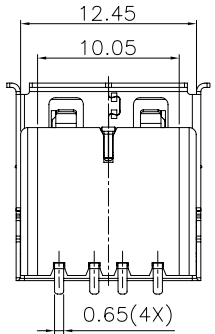
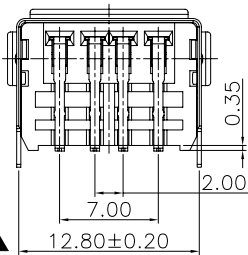
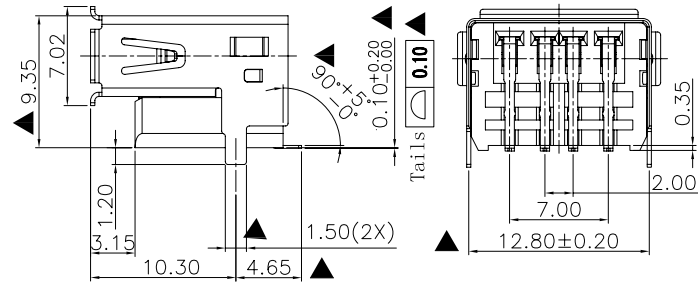
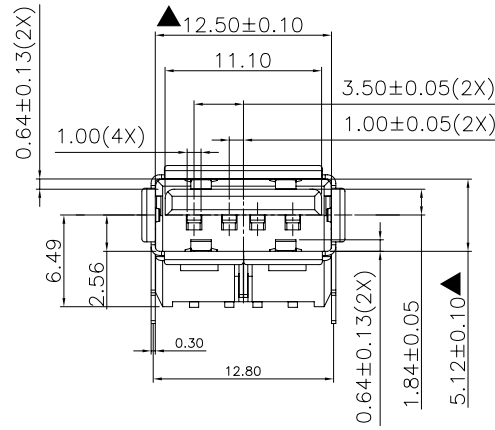


RoHS
HF



SPECIFICATION:

- Electrical Characteristics:
 - Voltage Rating: 30V AC Max
 - Current Rating: 1.0A Max.
 - Withstanding Voltage: AC500V for 1Minute
 - Insulation Resistance: 1000MΩ Min.
 - Contact Resistance: 30mΩ Max
 - Mechanical Characteristics:
 - Mating Force: 3.5Kfg Max
 - Unmating Force: 1.0Kfg Minimum.
 - Terminal retention force: 0.5Kgf/Pin
 - Durability: 1500Cycles
 - Environmental:
 - Operating Temperature: -40°C~85°C
 - Basic information:
 - Housing: LCP E130I UL94 V-0, Color: Black
 - Shell: SPCC T=0.30mm
- ① Plating: 80u"Matte Ni plated over and 50u"Cu underplated all over
Terminal: Copper Alloy, T=0.20mm
Plating: Ni underplated all over, 1u"Au plated on contact area, Gold flash plated soldertails
5. ▲ MARK Must be checked.



D/C: YYWWDL

- L: LINE (生产线线别)
- D: DATE SERIES (本周第几天)
- WW: WEEK (当年第几周)
- YY: YEAR (年份后两位)

ITEM	NAME	MATERIAL	REMARKS	Q'TY
03	SHELL	SPCC (T=0.3mm)	OVER PLATING: MATTE Ni80u"	1PCS
02	TERMINAL	COPPER ALLOY (T=0.2mm)	CONTACT AREA: Au 1u" SOLDER AREA: G/F UNDER PLATING: Ni 80u"	4PCS
01	HOUSING	HIGH TEMPERATURE THERMOPLASTIC	30%G.F. UL 94V-0 BLACK	1PCS

REV.	REVISION RECORD	DATE	UNIT	SIZE	GENERAL TOLERANCES	SCALE	NAME	DATE	PART NO.
A	INITIAL RELEASE	11/19'15	MM	A4	LINEAR: 0.0 ±0.30 ANGLES: X°REF ± 6'	2:1			W-00-0229-0400
B	ADD NOTES DETAILS	04/13'16				APPROVED			DWG NO: W-00-0229-0400
C	MODIFY TERMINAL LENGTH	03/30'17			0.00 ±0.20 X' ± 3'	DESIGNER			REV: D
D	MODIFY PLATING SPEC	10/14'17			0.000±0.10 X'X' ± 2'	DRAWN			SHEET: 1/2

JCTC 苏州伟聚 东莞胜景
TERMINAL & CONNECTORS 东莞胜蓝 东莞富强

TITLE: USB2.0
H9.35MM PH2.0 SMD TYPE