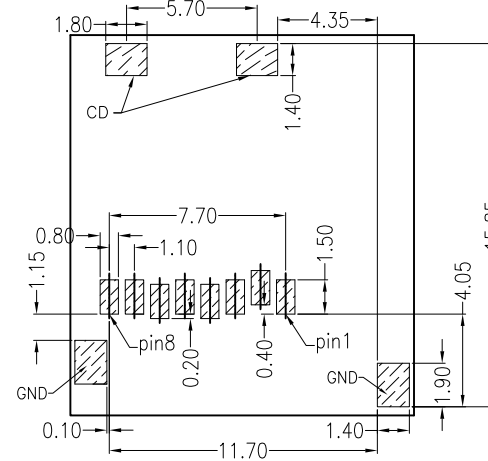
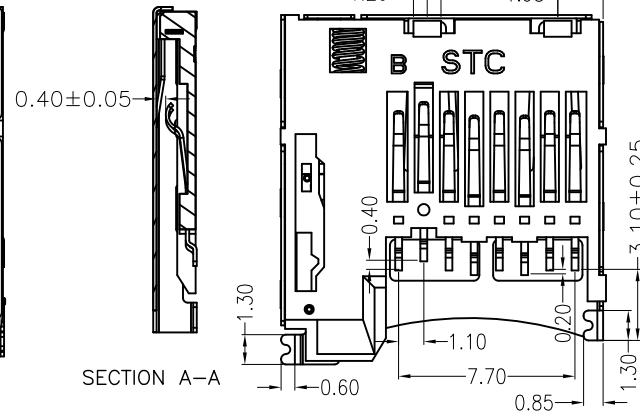
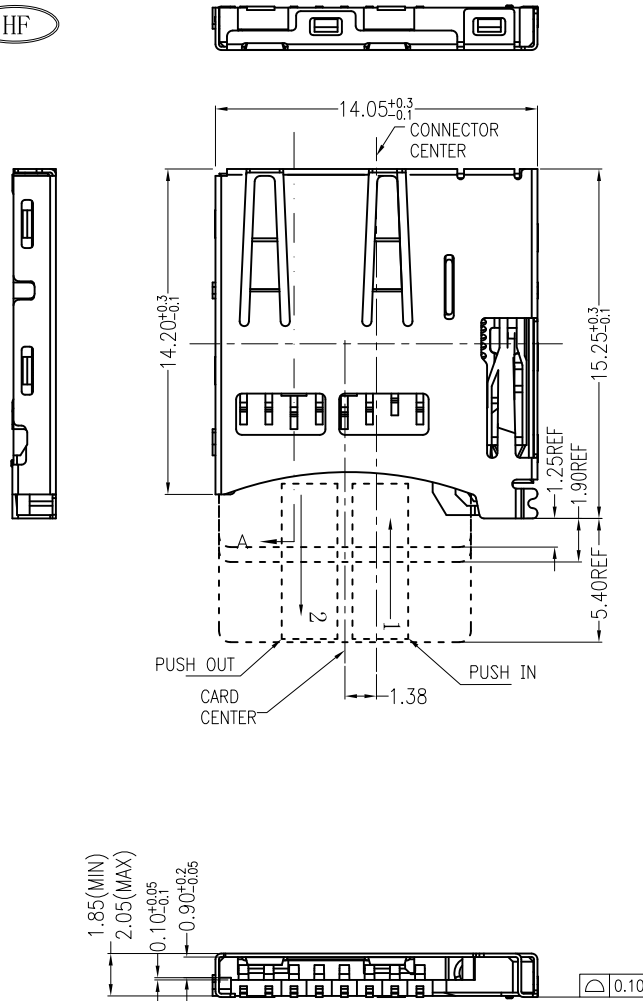


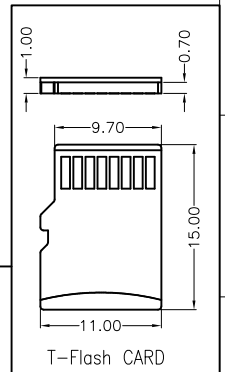
RoHS  
HF

NOTES:

- 1.MATERIAL:  
HOUSING: HIGH TEMPERATURE THERMOPLASTIC UL94V\_0,COLOR:BLACK.  
CONTACT: COPPER ALLOYS.  
COVER: COPPER ALLOYS OR STEEL.
- 2.PLATING:  
UNDERPLATE: NICKEL.  
CONTACT AREA: GOLD OVER NICKEL.  
SOLDER AREA: TIN OVER NICKEL.
- 3.MULTIMEDIA CARD COMPATIBLE



RECOMMENDED P.C.B HOLE LAYOUT  
COMPONENT SIDE VIEW(TOLERANCE: +/-0.05)



PIN NO.	NAME	YTYPE	DESCRIPTION
1	DAT2	I/O/PP	DATE LINE(BIT2)
2	CD/DAT3	I/O/PP	CARD DETECT DATE LIN(BIT3)
3	CMD	PP	COMMAND RESPONSE
4	VDD	S	SUPPLY VOLTAGE
5	CLX	I	CLOCK
6	VSS	S	SUPPLY VOLTAGE GROUND
7	DAT0	I/O/PP	DATE LINE(BIT0)
8	DAT1	I/O/PP	DATE LINE(DIT1)

REV.	REVISION RECORD	DATE		GENERAL TOLERANCES		SCALE:	NAME	DATE	 苏州伟聚    东莞胜景 东莞胜蓝    东莞富强	PART.NO:
X1	DRAFT REV.	8/7'15		UNIT: MM	LINEAR	ANGLES	APPROVED			
			SIZE: A4	0.0 ±0.35	X'REF ± 6°	DESIGNER			W-00-7026-0800	
				0.00 ±0.25	X' ± 3'	DRAWN	Allen.Zheng	8/7'15	REV: X1	
				0.000±0.15	X'X' ± 2'				SHEET: 1/1	

**JCTC**  
TERMINAL & CONNECTORS

T-FLASH内焊 PUSH B Type