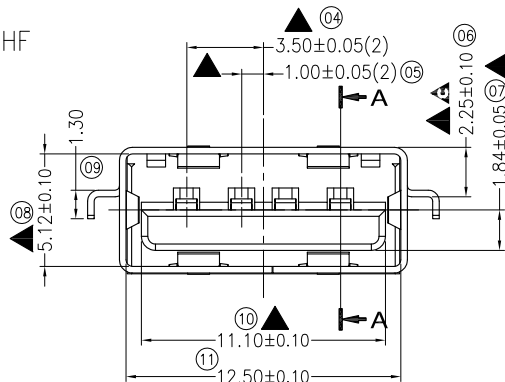
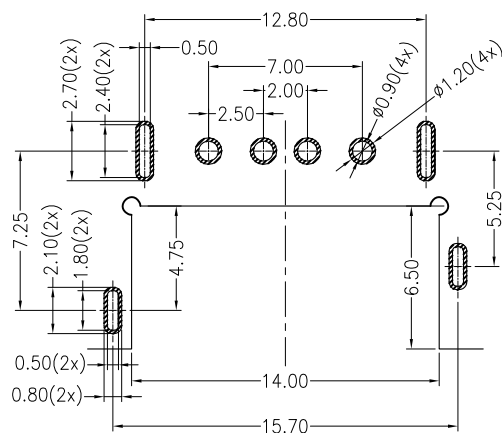
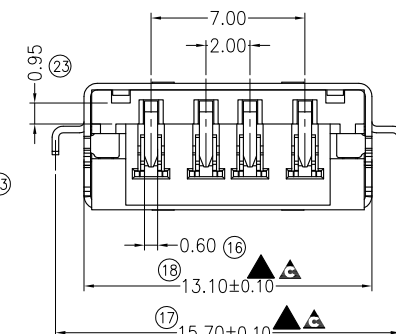
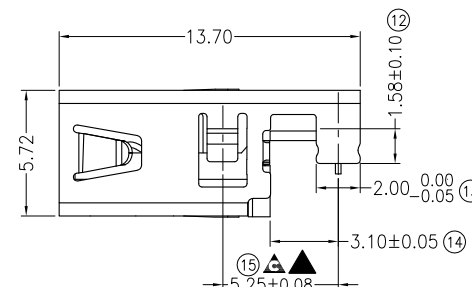
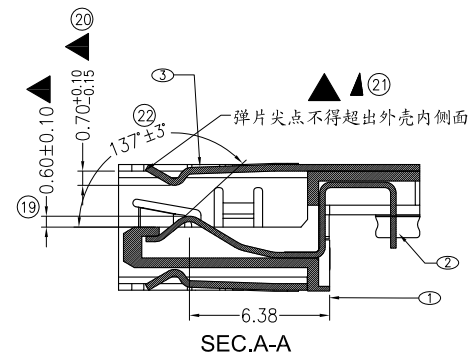
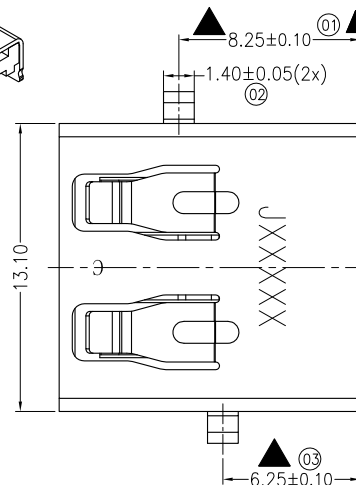
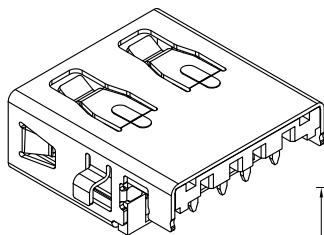


RoHS  
HF

SPECIFICATIONS:

1. ELECTRICAL CHARACTERISTICS:
  - 1-1. CONTACT RESISTANCE: 30mΩ MAX.(INITIAL)  
AFTER LIFE TEST 50mΩ.
  - 1-2. DIELECTRIC WITHSTANDING VOLTAGE: 500V AC FOR ONE MINUTE.
  - 1-3. INSULATION RESISTANCE: 1000MΩ MIN. MEASURED BY 500 VDC.
2. MECHANICAL CHARACTERISTICS:
  - 2-1. INSERTION FORCE : 2.7 KGfMa/
  - 2-2. WITHDRAWAL FORCE :1.0~2.7Kgf INITIAL ,0.7~2.7Kgf AFTER TEST.
  - 2-3. TERMINAL RETENTION FORCE: 0.5KGf/PIN MIN.
3. LIFE TEST: 5,000 CYCLES.
4. ⊗ MARK IS FAI DIM. ▲ MARK IS MAJOR DIM. ▲ MARK IS CPK DIM.
5. PART NO: WUSF10704-0A00

PLATING: GOLD 1u"  
PACKING: REEL ———— RoHS + HF



RECOMMEND P.C.B LAYOUT(COMPONENT SIDE)  
TOLERANCE FOR PCB LAYOUT IS ±0.05

3	外壳	1	040-002A-0137	C2680 T=0.3mm	ALL OVER Ni 50~100u"
2	端子	4	020-100A-0012	C5191R-EH,T=0.25mm	G/F ON CONTACT ARER Sn 100 u"ON SOLDER AREA ALL OVER Ni 50 u"Min
1	本体	1	001-0004-0113	LCP E130i UL94 V-0	BLACK
序号	零件	数量	料号	材质规格	电镀&颜色

REV.	REVISION RECORD	DATE	GENERAL TOLERANCES		SCALE: 1:1	NAME	DATE	 苏州伟聚电子科技有限公司 TITLE: USB2.0 RECEPTACLE H2.26 A TYPE L=13.7mm	PART.NO:
A	DRAFT VERSION	08/05' 2017	LINEAR	ANGLES	APPROVED				WUSF10704-0A00
			0.0 ±0.30	X'REF ± 6'	DESIGNER				DWG.NO:
			0.00 ±0.20	X' ± 3'	DRAWN				605-0000-0097
			0.000±0.10	X'X' ± 2'				REV: B	SHEET: 1/1