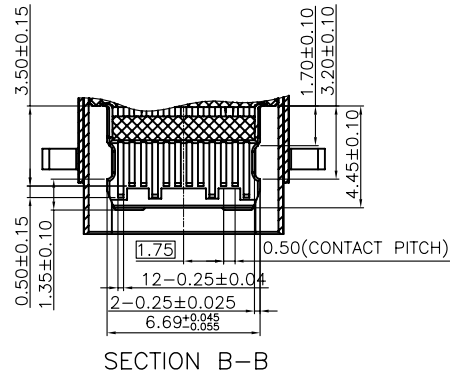
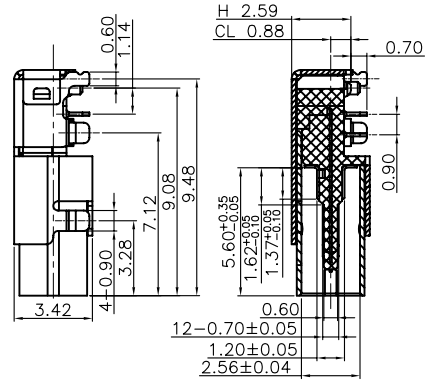
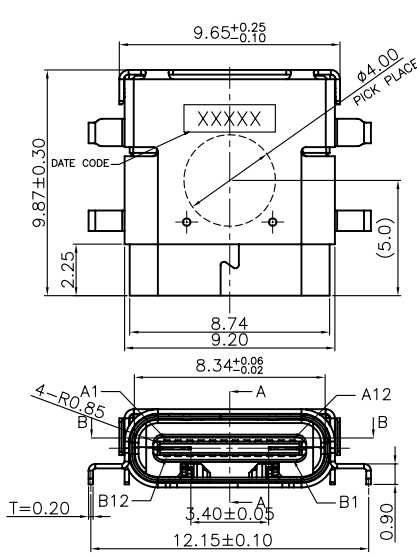
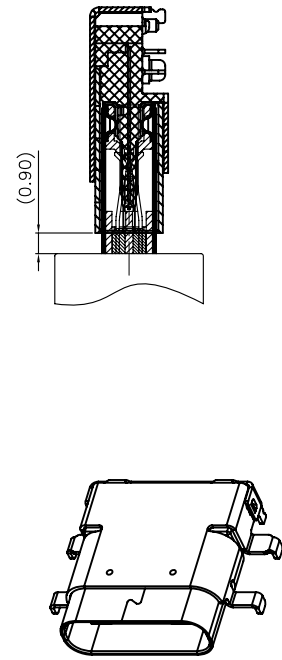
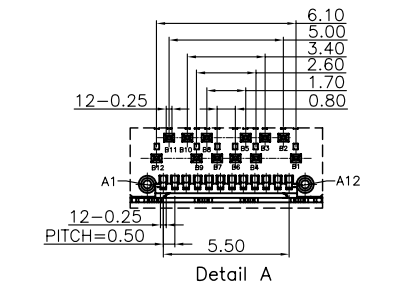
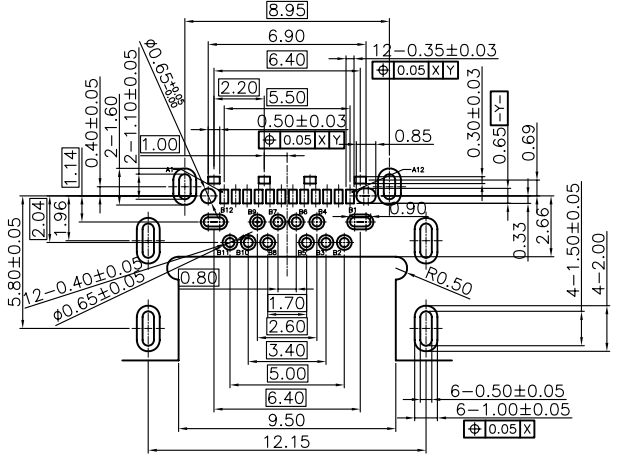
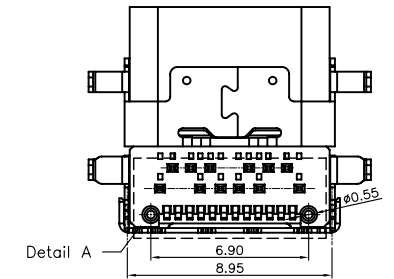


RoHS
HF



NOTE:
 1.MATERIAL:
 1.1 INSULATOR: HIGH TEMPERATURE PLASTIC UL 94 V-0;
 1.2 CONTACT: COPPER ALLOY(T=0.15mm)
 1.3 SHELL:STAINLESS STEEL(T=0.20mm)
 2.ELECTRICAL CHARACTERISTICS:
 2.1 CONTACT RESISTANCE: 40mΩ Max FOR INITIAL. 10mΩ CHANGE AFTER TEST. MEASURE AT 20mV, 100mA.
 2.2 CONTACT CURRENT RATING: 5A FOR V_{bus} PIN; 1.25A FOR V_{CONN} PIN.
 2.3 DIELECTRIC WITHSTANDING VOLTAGE: 100V AC R.M.S.
 2.4 INSULATION RESISTANCE 100MΩ Min
 2.5 OPERATING TEMPERATURE: -40°C ~ 85°C
 3 MECHANICAL CHARACTERISTICS:
 3.1 MATING FORCE: 5~20 N.
 3.2 UNMATED FORCE: 8~20N AFTER TEST
 3.3 DURABILITY: 10,000 CYCLES
 4.PLATING
 4.1 TERMINAL CONTACT: (SEE TAB) GOLD PLATING ALL OVER 50u" Min NICKEL AND 80u"Min Tin ALL OVER 50u" Min NICKEL ON SOLDER AREA
 4.2 SHELL: 50u" Min. NICKEL ALL OVER,
 5.PART NUMBER:
 W-26-0253-2400X
 1: G/F 2: 5u" 3: 10u"
 4: 15u" 5: 30u"
 0: Reel
 0:HF+RoHS
 24:PIN NO.



Pin	Signal Name	Mating Sequence	Pin	Signal Name	Mating Sequence
A1	GND	First	B12	GND	First
A2	SSTXp1	Second	B11	SSRXp1	Second
A3	SSTXn1	Second	B10	SSRXn1	Second
A4	V _{bus}	First	B9	V _{bus}	First
A5	CC1	Second	B8	SBU2	Second
A6	Dp1	Second	B7	Dn2	Second
A7	Dn1	Second	B6	Dp2	Second
A8	SBU1	Second	B5	CC2	Second
A9	V _{bus}	First	B4	V _{bus}	First
A10	SSRXn2	Second	B3	SSTXn2	Second
A11	SSRXp2	Second	B2	SSTXp2	Second
A12	GND	First	B1	GND	First
SHELL	GND		SHELL	GND	

REV.	REVISION RECORD	DATE		GENERAL TOLERANCES	SCALE: 3:1	NAME	DATE	<p>WJCT</p> <p>苏州伟聚电子科技有限公司</p> <p>TITLE: USB 3.1 C TYPE Female CL0.88 H2.59 L9.87mm DIP TYPE</p>	PART.ND: W-26-0253-2400X
A	DRAFT VERSION	03/16'16		LINEAR	APPROVED				DWG.ND: W-26-0253-2400X
			0.0 ±0.30	DESIGNER			REV: A		
			0.00 ±0.20	DRAWN	YXY	03/16'16	SHEET: 1/2		

包装作业规范

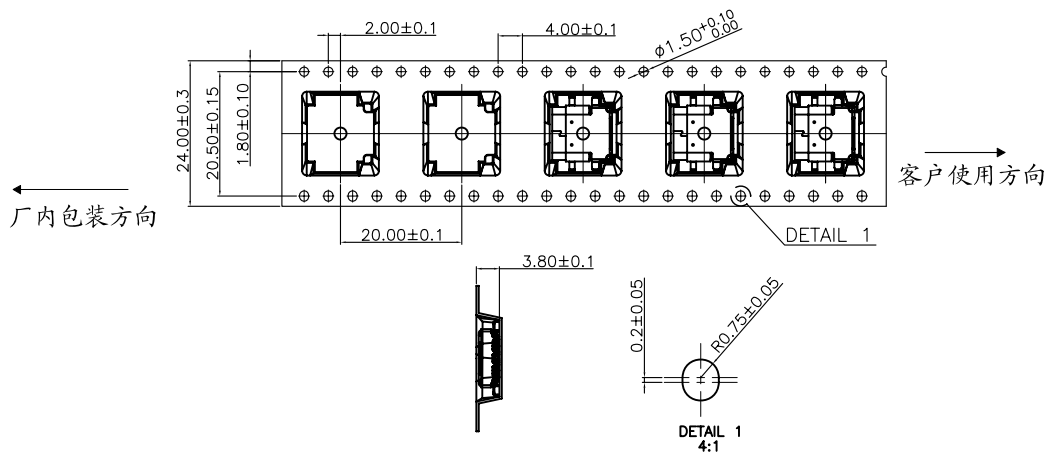
PACKAGING SPECIFICATION

日期: 2016. 3. 16

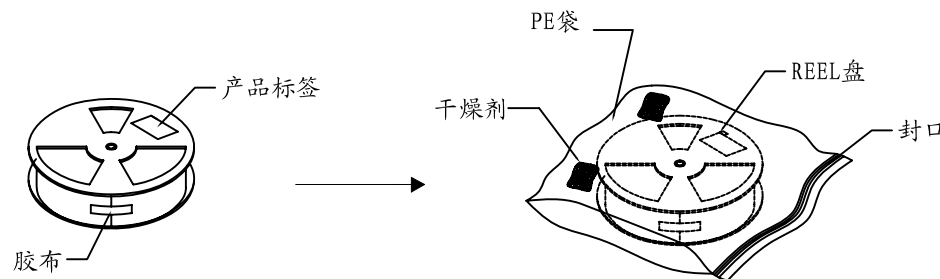
文件编号 FILE NO.	WI-GC-006-W-26-0253-2400X	产品名称 PART NO.	USB 3.1 C TYPE Female CL0.88 H2.59 L9.87mm DIP TYPE	页次Page	2/2	版次REV.	A
---------------	---------------------------	---------------	---	--------	-----	--------	---

包装作业图示及说明 (PACKING OPERATION DIAGRAM & INSTRUCTION)

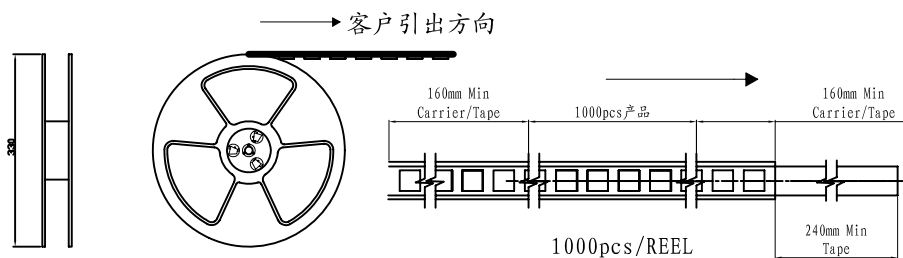
一、载带: Pitch: 20mm, Wide: 24mm, 如下图。



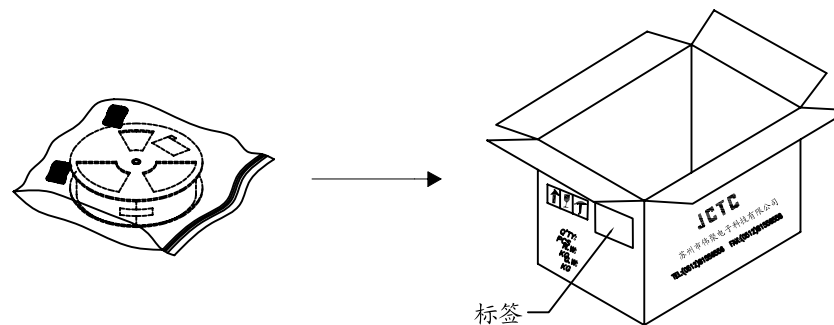
三、胶盘上贴成品包装标签,注明料号、数量及制造日期。然后将REEL盘装入防水袋内,并放入2袋干燥剂,并用热封机将PE袋封口。



二、包装开始载带及盖膜需预留约160mm Min之空带,并用胶布将其粘紧于胶盘轴心。将成品如图一所示方向,依次放入载带。包装最后载带需预留约160mm Min之空带,上盖膜需预留比载带长240mm Min。
一卷REEL可放置数量为: 1000 PCS, 如下图。



四、将装有REEL盘的PE袋装入纸箱内,放满为止。然后用胶带将纸箱封口,并在指定位置贴上标签,写明品名、料号、数量、生产日期等信息。



核准APPD: SAM

审核CHK: SAM

制订DESIGN: YXY