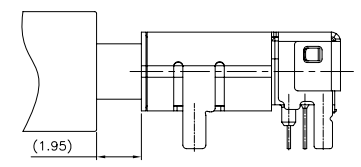
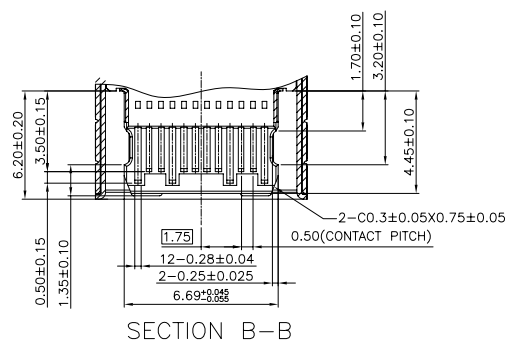
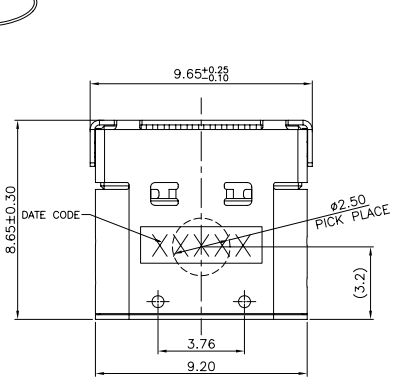
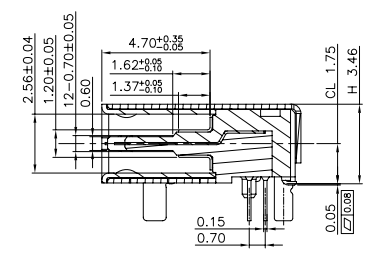
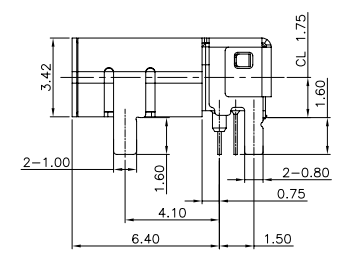
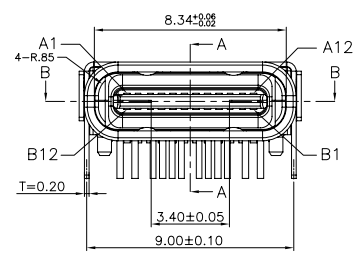
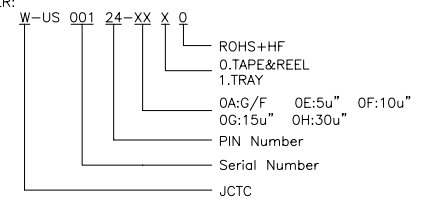


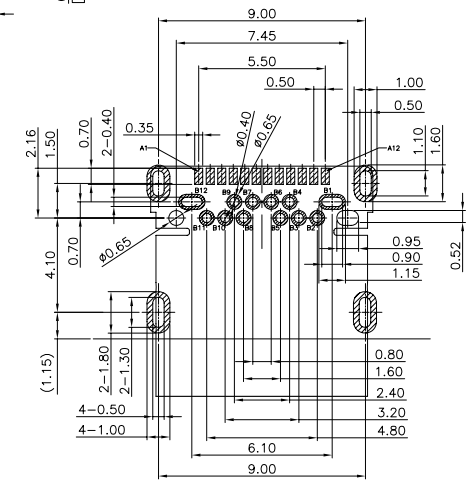
RoHS
HF



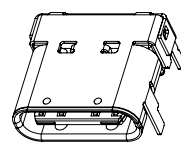
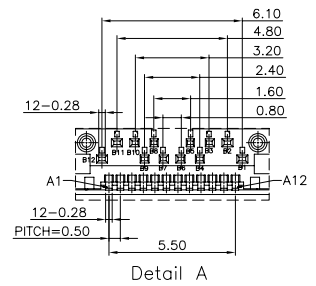
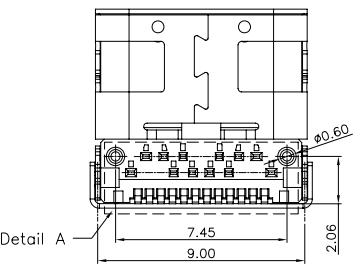
NOTE:
1.MATERIAL:
1.1 INSULATOR: HIGH TEMPERATURE PLASTIC UL 94 V-0; Black
Color
1.2 CONTACT: COPPER ALLOY(T=0.15mm)
1.3 SHELL:STAINLESS STEEL(T=0.20mm)
1.4 COVER SHELL:IRON MATERIAL(T=0.20mm)
1.5 INNER GROUND COVER SHELL:STAINLESS STEEL(T=0.10mm)
1.6 MID PLATE:STAINLESS STEEL(T=0.10mm)
2.ELECTRICAL CHARACTERISTICS:
2.1 CONTACT RESISTANCE: 40mΩ Max FOR INITIAL. 10mΩ CHANGE AFTER TEST. MEASURE AT 20mV, 100mA.
2.2 CONTACT CURRENT RATING: 5A FOR VBUS PIN; 1.25A FOR VCONN PIN.
2.3 DIELECTRIC WITHSTANDING VOLTAGE: 100V AC R.M.S.
2.4 INSULATION RESISTANCE 100MΩ Min
2.5 OPERATING TEMPERATURE: -40°C ~ 85°C
3 MECHANICAL CHARACTERISTICS:
3.1 MATING FORCE: 5~20 N.
3.2 UNMATED FORCE: 8~20N AFTER TEST
3.3 DURABILITY: 10,000 CYCLES
4.PLATING
4.1 TERMINAL CONTACT: (SEE TAB) GOLD PLATING ALL OVER 50u" Min NICKEL AND 80u"Min Matte Tin ALL OVER 50u" Min NICKEL ON SOLDER AREA
4.2 SHELL: 50u" Min. NICKEL ALL OVER,
4.3 COVER SHELL: 80u" Min. NICKEL ALL OVER,
4.4 INNER GROUND COVER SHELL: 50u" Min. NICKEL ALL OVER,
4.5 MID PLATE: CLEAN
5.PART NUMBER:



SECTION A-A



RECOMMEND P.C.B LAYOUT(COMPONENT SIDE)
TOLERANCE FOR PCB LAYOUT IS ±0.05
KEEP OUT AREA



Pin	Signal Name	Mating Sequence	Pin	Signal Name	Mating Sequence
A1	GND	First	B12	GND	First
A2	SSTXp1	Second	B11	SSRXp1	Second
A3	SSTXn1	Second	B10	SSRXn1	Second
A4	VBUS	First	B9	VBUS	First
A5	CC1	Second	B8	SBU2	Second
A6	Dp1	Second	B7	Dn2	Second
A7	Dn1	Second	B6	Dp2	Second
A8	SBU1	Second	B5	CC2	Second
A9	VBUS	First	B4	VBUS	First
A10	SSRXn2	Second	B3	SSTXn2	Second
A11	SSRXp2	Second	B2	SSTXp2	Second
A12	GND	First	B1	GND	First
SHELL	GND		SHELL	GND	

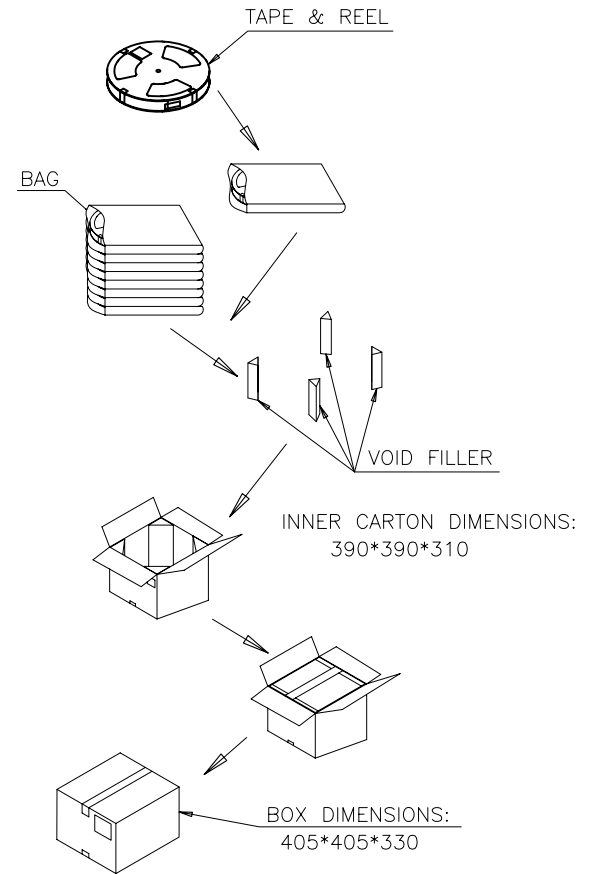
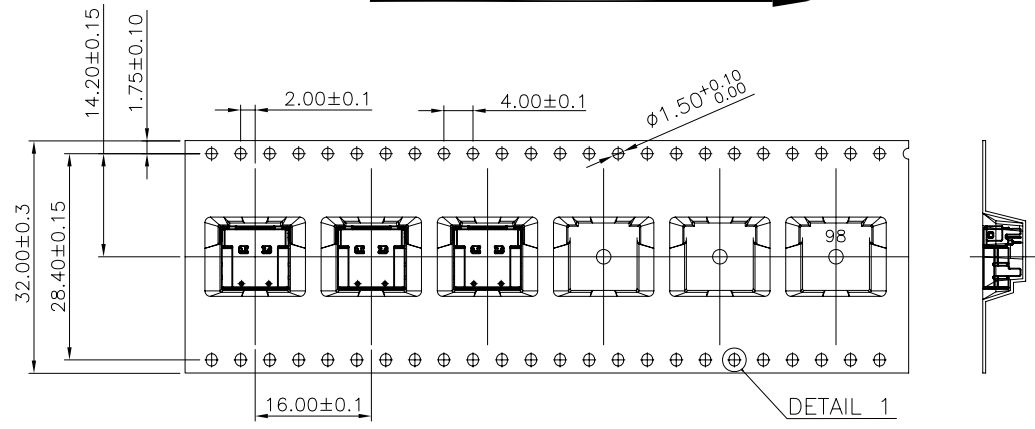
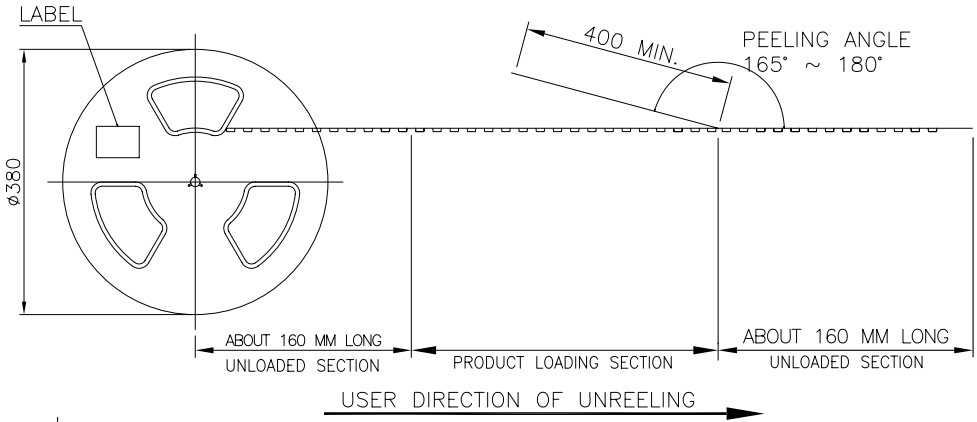
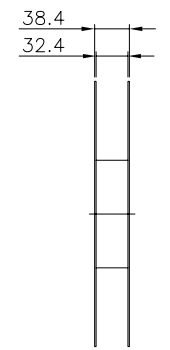
REV.	INITIAL RELEASE	DATE	UNIT: MM	GENERAL TOLERANCES		SCALE: 1:1	NAME	DATE
				LINEAR	ANGLES			
A	INITIAL RELEASE	3/29'2016	MM	0.0 ±0.30	X'REF ± 6°	APPROVED		
	REVISION RECORD	DATE	SIZE: A4	0.00 ±0.20	X' ± 3'	DESIGNER		
				0.000±0.10	X'X' ± 2'	DRAWN	MXF	3/29'2016

WJCT
苏州伟聚电子科技有限公司

TITLE: USB3.1 C TYPE FEMALE
CL1.75 H3.46mm L8.65mm DIP TYPE

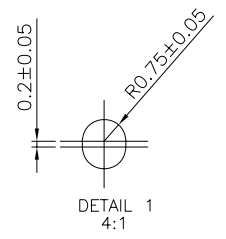
PART.ND: W-US00124-XXX0	
DWG.ND: W-US00124-XXX0	
REV: A	SHEET: 1/1

RoHS
HF



NOTE:

- MATERIAL:
 BOX: FIBREBOARD, CORRUGATED, DOUBLE WALL.
 TAPE: POLYSTYRENES, HEAT-RESISTANT TEMPERATURE: 120°C, BLACK COLOR.
 REEL: POLYSTYRENES, HEAT-RESISTANT TEMPERATURE: 70°C, BLUE COLOR.
 BAG: POLYETHYLENE, HEAT-RESISTANT TEMPERATURE: 100°C.
- PEELING STRENGTH: 0.1 ~ 1.3 N (10 ~ 130 GRAMS)
- PEELING SPEED: 300 mm/min.
- EACH BAG SHALL BE INCLUDED DESICCANT.



1000	8	8000 PCS	-- KG	-- KG
PCS/ REEL	REELS/ CARTON	QUANTITY	GROSS WEIGHT	NET WEIGHT

				GENERAL TOLERANCES		SCALE: 1:1	NAME	DATE	WJCT 苏州伟聚电子科技有限公司 TITLE: USB3.1 C TYPE FEMALE CL1.75 H3.46mm L8.65mm DIP TYPE	PART.ND: W-US00124-XX00	
				LINEAR	ANGLES	APPROVED				DWG.ND: W-US00124-XX00	
A		INITIAL RELEASE	3/29/2016	0.0 ±0.30	X'REF± 6'	DESIGNER				REV: A SHEET: 1/1	
REV.	REVISION RECORD		DATE	0.00 ±0.20	X' ± 3'	DRAWN	MXF	3/29/2016			